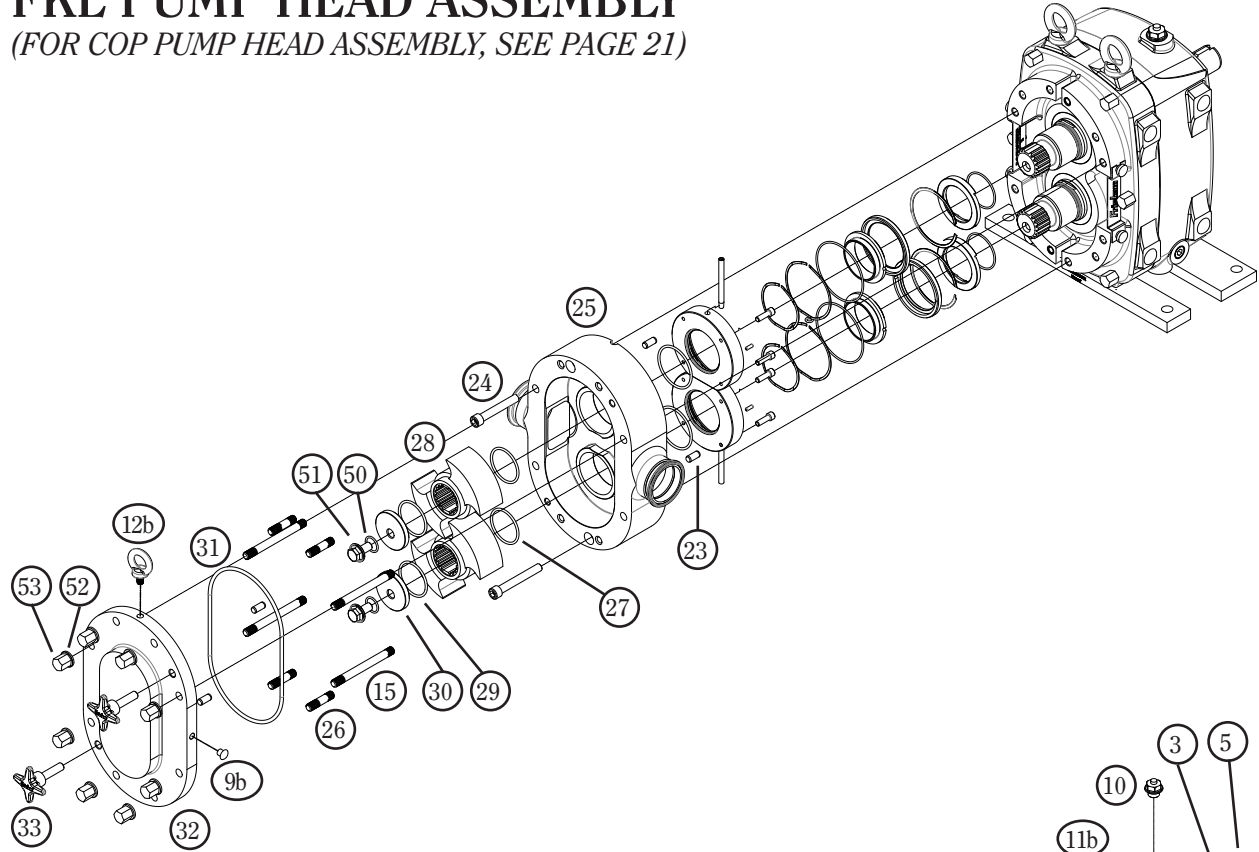
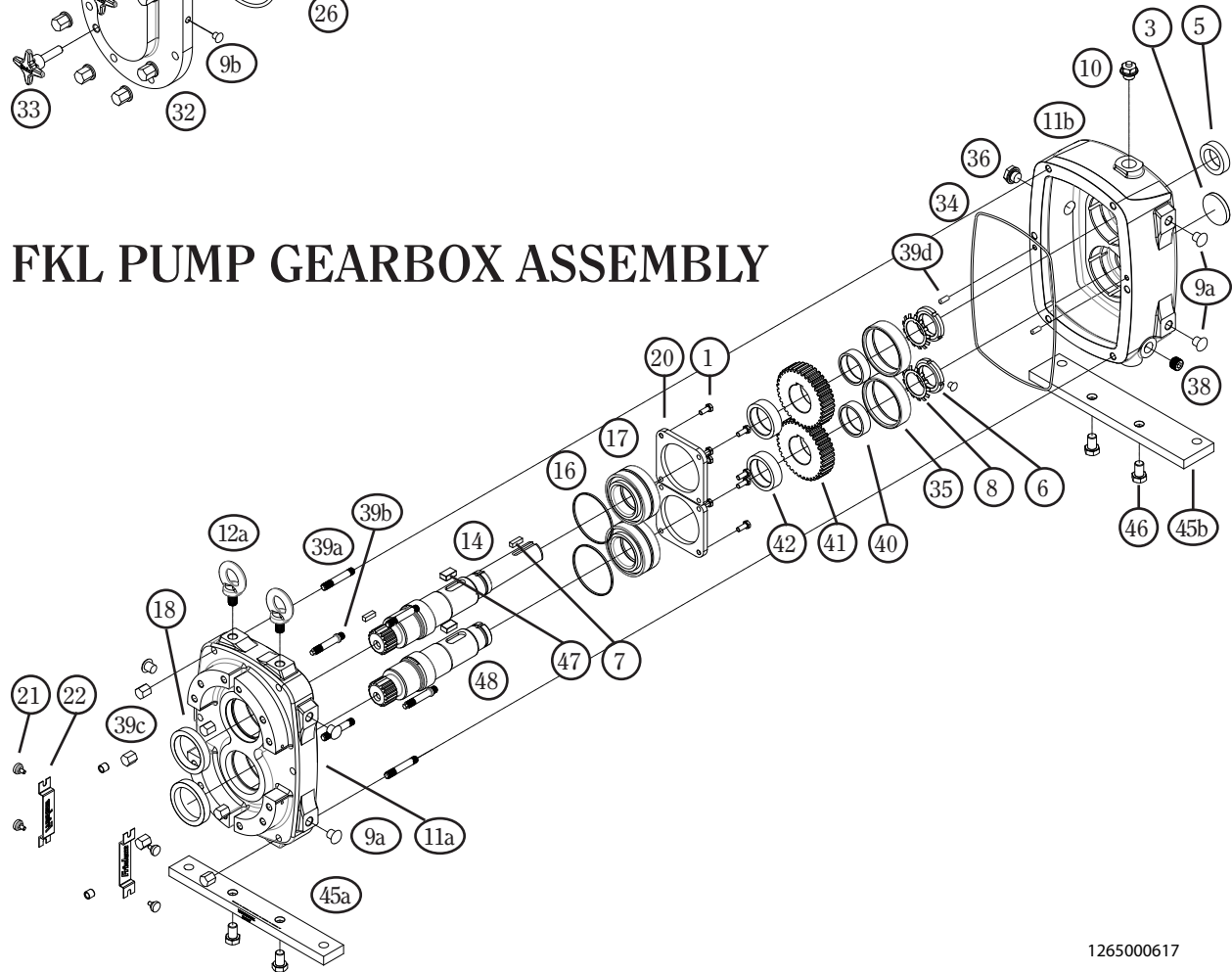


FKL PUMP HEAD ASSEMBLY

(FOR COP PUMP HEAD ASSEMBLY, SEE PAGE 21)



FKL PUMP GEARBOX ASSEMBLY

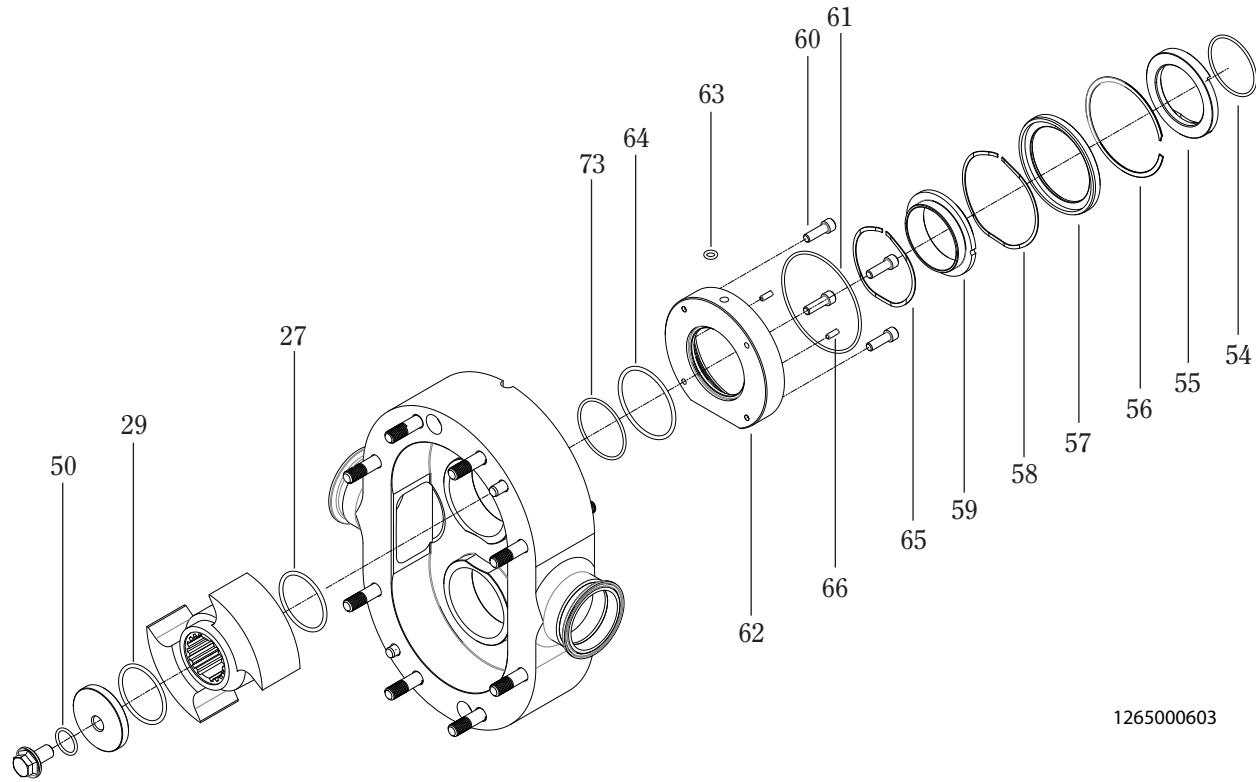


PARTS LIST

Item	Description	Qty	15	20	25	50	75	150	205	250	400	580
1	Bearing cover bolt	8*	1101000208	1101000208	1101000255	1101000239	1101000239	1101000239	1101000256 (*10)	1101000256 (*10)	1101000256 (*12)	1101000256 (*12)
3	Shaft hole plug	1	1812000063	1812000063	1812000065	1812000062	1812000064	1812000061	1812000067	1812000066	1812000068	1812000069
5	Rear oil seal	1	1812000059	1812000059	1812000058	1812000058	1812000051	1812000048	1812000056	1812000046	1812000047	1812000045
6	Bearing lock nut	2	1306000083	1306000083	1306000083	1306000112	1306000002	1306000005	1306000004	1306000004	1306000007	1306000000
7	Coupling key	1	1315000039	1315000039	1315000013	1315000011	1315000026	1315000026	1315000042	1315000025	1315000028	1315000045
8	Bearing lock nut washer	2	1104000069	1104000069	1104000019	1104001051	1104000021	1104000018	1104000017	1104000017	1104000020	1104000066
9a	Gearbox hole plug (mild steel)	5*	1101000250 (*6)	1101000250 (*6)	1101000251	1101000251	1101000253	1101000253	1101000253	1101000253	1101000254	1101000254
	Gearbox hole plug (stainless steel)		1101000131 (*6)	1101000131 (*6)	1101000252	1101000252	1101000206	1101000206	1101000206	1101000206	1101000206	1101000266
9b	Cover hole plug	1	N/A	N/A	N/A	N/A	N/A	N/A	1101000252	1101000252	1101000252	1101000252
10	Vent plug	1	1248000034	1248000034	1248000034	1248000036	1248000036	1248000036	1248000036	1248000036	1248000036	1248000036
11a	Front gearbox (cast iron)	1	1310600200	1310600200	1310600204	1310600189	1310600197	1310600185	1310600220	1310600213	1310600252	1310600257
	Front gearbox (stainless steel)		1310600194	1310600194	1310600203	1310600188	1310600196	1310600183	1310600219	1310600212	1310600251	1310600260
11b	Rear gearbox (cast iron)	1	1310600201	1310600201	1310600206	1310600191	1310600199	1310600186	1310600222	1310600215	1310600254	1310600258
	Rear gearbox (stainless steel)		1310600193	1310600193	1310600205	1310600190	1310600198	1310600184	1310600221	1310600214	1310600253	1310600261
12a	Gearbox Eyebolt (mild steel)	2	N/A	N/A	1101000072	1101000073	1101000164	1101000164	1101000164	1101000164	1101000152	1101000152
	Gearbox Eyebolt (stainless steel)		N/A	N/A	1101000248	1101000244	1101000242	1101000242	1101000242	1101000242	1101000267	1101000267
12b	Cover Eyebolt	1	N/A	N/A	N/A	N/A	N/A	N/A	1101000244	1101000244	1101000244	1101000244
	Drive shaft		1372600028	1372600026	1372600086	1372600080	1372600082	1372600078	1372600112	1372600098	1372600163	1372600173
14	Drive shaft (COP)	1	N/A	N/A	1372600219	1372600215	1372600219	1372600207	1372600209	1372600223	N/A	N/A
15	Housing stud (long)	4*	1103000115	1103000079	1103000146 (*2)	1103000123 (*2)	1103000130	1103000102	1103000157	1103000105	1103000169	1103000170
16	Gapping shim kit	1	1080000106	1080000106	1080000054	1080000099	1080000056	1080000056	1080000057	1080000057	1080000058	1080000115
17	Front bearing assembly	2	1173000041	1173000041	1173000013	1173000048	1173000014	1173000016	1173000018	1173000017	1173000017	1173000057
18	Front oil seal	2	1812000060	1812000060	1812000054	1812000046	1812000053	1812000047	1812000057	1812000045	1812000049	1812000071
20	Front bearing cover	2	1304000017	1304000017	1304000017	1304000035	1304000036	1304000034	1304000042	1304000041	1304000043	1304000044
21	Guard screw	4	1102000000	1102000000	1102000000	1102000000	1102000000	1102000000	1102000000	1102000000	1102000000	1102000000
22	Gearbox guard	2	1936000160	1936000160	1936000165	1936000159	1936000161	1936000158	1936000172	1936000169	1936000187	1936000190
23	Housing/Cover pin	4*	1891000080 (*6)	1891000080 (*6)	1891000069	1891000069	1891000073	1891000073	1891000076	1891000076	1891000076	1891000076
24	Housing screw	2	1101000209	1101000210	1101000249	1101000245	1101000246	1101000243	1101000257	1101000257	1101000265	1101000271
25	Pump housing	1	1652610000	1652610000	1652610052	1652610091	1652610053	1652610060	1652610012	1652610046	1652610024	1652610010
26	Housing stud (short)	4*	N/A	N/A	1103000147	1103000101 (*2)	1103000099	1103000091	1103000095 (*10)	1103000097 (*10)	1103000103 (*12)	1103000171 (*14)
27	Rotor o-ring (viton)	2	1180000700	1180000700	1180000243	1180000120	1180000014	1180000115	1180000253	1180000212	1180000234	1180000919
28	Rotor (standard)	2	1653630000	1653630000	1657630000	1659630000	1661630000	1669630000	1665630000	1671630000	1673600000	1675630000
	Rotor (COP)		N/A	N/A	1657630020	1659630101	1661630025	1669630028	1665630012	1671630026	1673600006	N/A
29	Rotor bolt washer o-ring (viton)	2	1180000700	1180000700	1180000243	1180000120	1180000014	1180000115	1180000253	1180000212	1180000234	1180000919
30	Rotor bolt washer	2	1104000068	1104000068	1104000027	1104000024	1080000092	1080000092	1080000094	1080000043	1080000044	1080000045
31	Cover gasket (buna - standard)	1	1180000000	1180000716	1180000165	1180000595	1180000593	1180000590	1180000817	1180000586	1180000757	1180000930
32	Pump cover	1	1652620000	1652620000	1652620018	1652620018	1652620018	1652620018	1652620018	1652620018	1652620018	1652620018
33	Forcing screw	2	1018000074	1018000074	1018000074	1018000074	1018000075	1018000075	1018000089	1018000089	1018000089	1018000084
34	Gearbox gasket	1	1180000949	1180000949	1180000983	1180000948	1180000951	1180000952	1180000847	1180000991	1180001164	1180001177
35	Rear bearing assembly	2	1173000039	1173000039	1173000050	1173000045	1173000049	1173000044	1173000051	1173000051	1173000053	1173000056
36	Oil sight glass	1	1248000029	1248000029	1248000029	1248000028	1248000028	1248000028	1248000028	1248000028	1248000028	1248000028
38	Oil drain plug	2	1248000030	1248000030	1248000030	1248000031	1248000031	1248000031	1248000031	1248000031	1248000031	1248000031
39a	Gearbox stud	4*	1103000127 (*2)	1103000127 (*2)	1103000148	1103000124	1103000142	1103000142 (*6)	1103000154 (*6)	1103000154 (*6)	1103000168 (*6)	1103000173 (*6)
39b	Gearbox forcing stud	2	1103000131	1103000131	1103000149	1103000126	1103000125	1103000125	1103000158	1103000155	1103000155	1103000172
39c	Gearbox nut	6*	1103004836 (*4)	1103004836 (*4)	1103000032	1101000137	1103004835	1103004835	1103000012 (*8)	1103000012 (*8)	1103000012 (*8)	1103000012 (*8)
39d	Gearbox pin	2	1891000080	1891000080	1891000067	1891000069	1891000069	1891000069	1891000076	1891000076	1891000076	1891000076
40	Gear spacer (rear)	2	1224000118	1224000103	1224000021	1224000113	1224000115	1224000112	1224000117	1224000116	1224000020	1224000124
41	Gear	2	1365000012	1365000012	1365000003	1365000005	1365000004	1365000014	1365000013	1365000001	1365000002	1365000011
42	Gear spacer (front)	2	1224000119	1224000103	1224000021	1224000114	1224000023	1224000017	1224000117	1224000116	1224000019	1224000125
45a	Front mounting strap (mild steel)	1	1925000024	1925000024	1925000031	1925000026	1925000027	1925000029	1925000044	1925000035	1925000045	1925000047
	Front mounting strap (stainless steel)		1925000018	1925000018	1925000032	1925000022	1925000020	1925000016	1925000043	1925000034	1925000046	1925000049
45b	Rear mounting strap (mild steel)	1	1925000025	1925000025	1925000031	1925000026	1925000028	1925000030	1925000044	1925000035	1925000045	1925000048
	Rear mounting strap (stainless steel)		1925000019	1925000019	1925000032	1925000022	1925000021	1925000017	1925000043	1925000034	1925000046	1925000050
46	Mounting strap screw (mild steel)	4	N/A	N/A	N/A	N/A	1101000033	1101000033	1101000033	1101000033	1101000020	1101000003
	Mounting strap screw (stainless steel)		11010000210	11010000210	1101018615	1101018615	1101000206	1101000206	1101000206	1101000206	1101000039	11010001875
47	Gear key	2	1315000037	1315000037	1315000014	1315000030	1315000029	1315000012	1315000043	1315000024	1315000027	1315000000
48	Idle shaft	1	1372600029	1372600027	1372600087	1372600081	1372600083	1372600079	1372600113	1372600099	1372600164	1372600178
	Idle shaft (COP)		N/A	N/A	1372600220	1372600216	1372600218	1372600208	1372600222	1372600210	1372600224	N/A
50	Rotor bolt o-ring (viton)	2	1180000085	1180000085	1180000085	1180000085	1180000085	1180000095	1180000398	1180000398	1180000398	1180000398
51	Rotor bolt	2	1102000001	1102000001	1102000001	1102000001	1102000001	1102000002	1102000010	1102000010	1102000010	1102000043
51	Rotor nut (COP only, replaces 51, 50, 29)	4	N/A	N/A	1102000057	1102000057	1102000049	1102000049	1102000050	1102000050	1102000055	N/A
	Cover nut washer		N/A	N/A	1104000000 (*6)	1104000002 (*4)	1104000002	1104000002	1104000002 (*14)	1104000002 (*14)	1104000002 (*16)	1104000022 (*18)
52	Cover nut washer	8*	1103004836 (*4)	1103004836 (*4)	1103000032 (*6)	1103000018 (*4)	1103000018	1103000018	1103000018 (*14)	1103000018 (*14)	1103000018 (*16)	1103000012 (*18)
72	Rotor Key	2	1315000040	1315000038	N/A	N/A	N/A	N/A	N/A	N/A	N/A	N/A

* Quantities may vary

SINGLE MECHANICAL SEAL ASSEMBLY

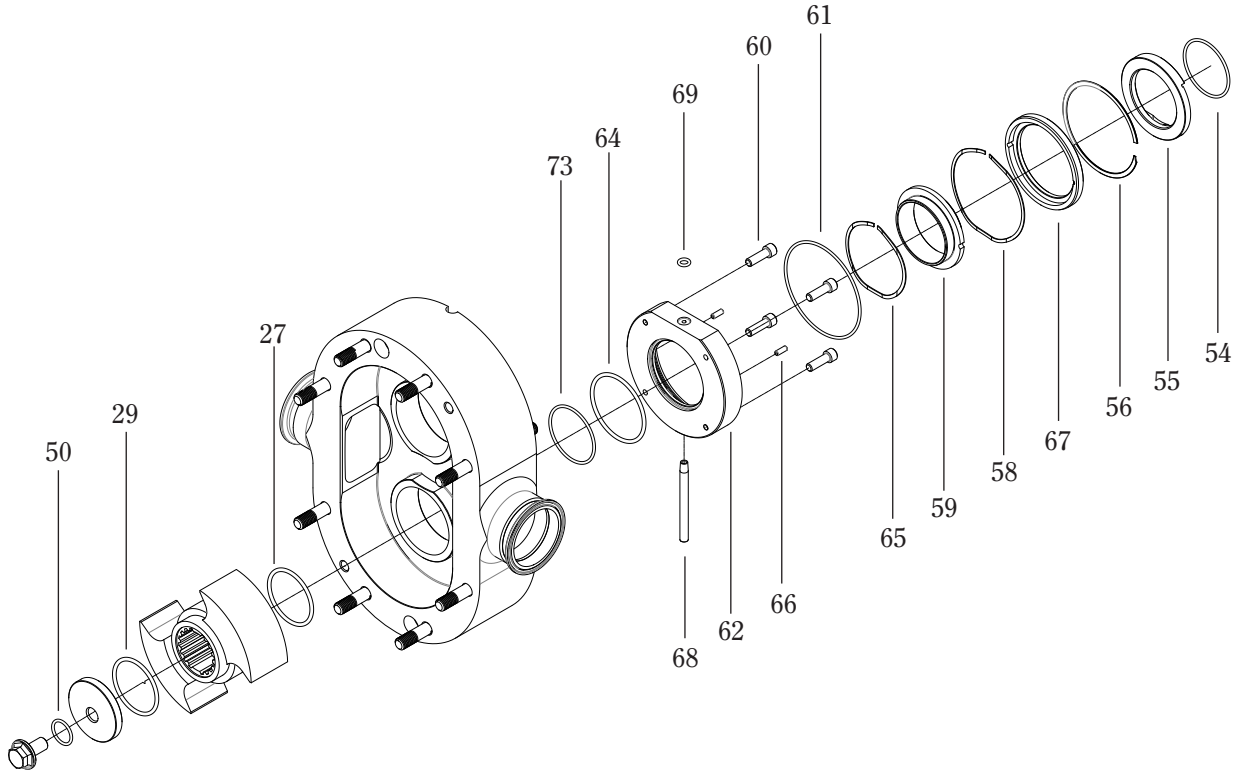


1265000603

FKL SINGLE MECHANICAL SEAL												
Item	Description	Qty	15/20	25	50	75	150	205	250	400	580	600
27	Rotor o-ring (viton)	2	1180000700	1180000343	1180000120	1180000014	1180000115	1180000253	1180000212	1180000234		1180000919
29	Rotor bolt washer o-ring (viton)	2	1180000700	1180000243	1180000120	1180000014	1180000115	1180000253	1180000212	1180000234		1180000919
50	Rotor bolt o-ring (viton)	2*		1180000085			1180000095		1180000398			1180000398 (4)
54	Rotating seal o-ring (viton)	2*	1180000700	1180000243	1180000032	1180000275	1180000112	1180000256	1180000217	1180000216	1180000919	1180000012
55	Rotating seal (Chrome oxide/SS)	2	1810600112	1810600075	1810600057	1810600076	1810600066	1810600124	1810600042	1810600074	1810600130	1810600087
55	Rotating seal (Silicon carbide)	2	1810600113	1810600085	1810600036	1810600077	1810600067	1810600123	1810600062	1810600086	1810600141	N/A
56	Seal retaining ring	2	N/A**	1148000018	1148000014	1148000019	1148000016	1148000022	1148000015	1148000017	1148000035	1148000020
57	Single seal insert	2	N/A**	1815600019	1815600020	1815600021	1815600022	1815600144	1815600023	1815600024	1815600151	1815600099
58	Outer seal spring	2	N/A**	1820000037	1820000018	1820000040	1820000022	1820000069	1820000020	1820000020	1820000071	1820000055
59	Stationary seal (carbon)	2	1815600115	1815600058	1815600049	1815600060	1815600051	1815600142	1815600052	1815600055	1815600157	TBD
59	Stationary seal (Silicon carbide)	2	1815600182	1815600183	1815600184	1815600185	1815600186	1815600199	1815600187	1815600200	N/A	N/A
59	Stationary seal (Chrome oxide/SS)	2	1815600128	1815600086	1815600066	1815600112	1815600108	1815600141	1815600106	1815600097	1815600172	1815600070
60	Seal housing screw	8	N/A**	1101000220		1101000221	1101000220(12)	1101000221(12)	1101000221(12)	1101000221(12)	1101000010(16)	1101000002(16)
61	Outer seal o-ring (viton)	2	N/A**	1180000256	1180000186	1180000148	1180000225	1180000215	1180000240	1180000922	1180000019	1180000019
62	Seal housing	2	N/A**	1845000010	1845000000	1845000015	1845000006	1845000045	1845000005	1845000004	1845000048	1845000028
63	Plastic cover plug	2*	N/A**				1248000006				1248000002	124800002(4)
64	Inner seal o-ring (viton)	2	1180000261	1180000030	1180000014	1180000253	1180000231	1180000234	1180000052	1180000239	1180000017	1180000455
65	Inner seal spring	2	1820000041	1820000038	1820000017	1820000039	1820000021	1820000068	1820000019	1820000023	1820000070	1820000054
66	Seal pin	4	1891000051	1891000011	1891000009	1891000013	1891000009	1891000013	1891000009	1891000010	1891000088	1891000043
73	Cartridge seal o-ring (viton)	2	N/A**			(models 250-600 only)			1180000148	1180000225	11800000920	11800000686

* Quantities may vary ** N/A - models 15-20 (no cartridge)

DOUBLE MECHANICAL SEAL ASSEMBLY



1265000604
7/1/2011

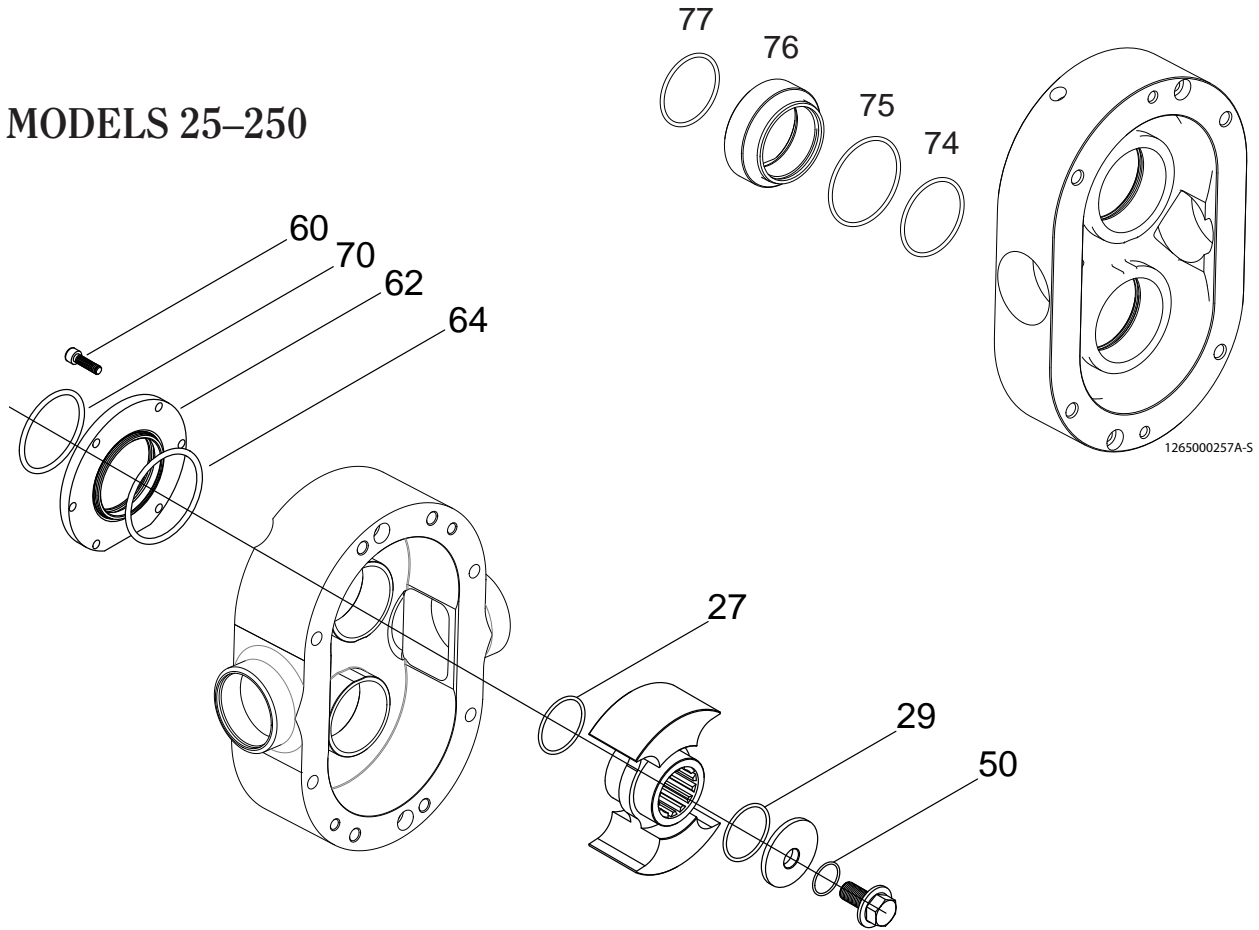
FKL DOUBLE MECHANICAL SEAL													
Item	Description	Qty	15/20	25	50	75	150	205	250	400	580	600	
27	Rotor o-ring (viton)	2	1180000700	1180000243	1180000120	1180000014	1180000115	1180000253	1180000212	1180000234	1180000919		
29	Rotor bolt washer o-ring (viton)	2	1180000700	1180000243	1180000120	1180000014	1180000115	1180000253	1180000212	1180000234	1180000919		
50	Rotor bolt o-ring (viton)	2*	1180000085									1180000398 (4)	
54	Rotating seal o-ring (viton)	2	1180000700	1180000243	1180000032	1180000275	1180000112	1180000256	1180000217	1180000216	1180000919	1180000012	
54	Rotating seal (Chrome oxide/SS)	2	1810600112	1810600075	1810600057	1810600076	1810600066	1810600124	1810600042	1810600074	1810600130	1810600087	
55	Rotating seal (Silicon carbide)	2	1810600113	1810600085	1810600036	1810600077	1810600067	1810600123	1810600062	1810600086	1810600141	N/A	
56	Seal retaining ring	2	N/A**	1148000019	1148000014	1148000019	1148000016	1148000032	1148000015	1148000017	1148000035	1148000020	
58	Outer seal spring	2	N/A**	1820000037	1820000018	1820000040	1820000022	1820000069	1820000020	1820000024	1820000071	1820000055	
59	Stationary seal (carbon)	2	1815600115	1815600058	1815600049	1815600060	1815600051	1815600142	1815600052	1815600055	1815600157	TBD	
59	Stationary seal (Silicon carbide)	2	1815600182	1815600183	1815600184	1815600185	1815600186	1815600199	1815600187	1815600200	N/A	N/A	
59	Stationary seal (Chrome oxide/SS)	2	1815600128	1815600086	1815600066	1815600112	1815600108	1815600141	1815600106	1815600097	1810600172	1815600070	
60	Seal housing screw	8*	N/A**										
61	Outer seal o-ring (viton)	2	1180000701	1180000246	1180000186	1180000148	1180000225	1180000215	1180000240	1180000922	1180000019	1180000019	
62	Seal housing	2	N/A**	1845000010	1845000000	1845000015	1845000006	1845000045	1845000005	1845000004	1845000048	1845000038	
64	Inner seal o-ring (viton)	2	1180000261	1180000030	1180000014	1180000253	1180000231	1180000234	1180000052	1180000239	1180000017	1180000455	
65	Inner seal spring	2	1820000041	1820000038	1820000017	1820000039	1820000021	1820000068	1820000019	1820000023	1820000070	1820000054	
66	Seal pin	4	1891000051	1891000011	1891000009	1891000013	1891000009	1891000013	1891000009	1891000010	1891000088	1891000043	
67	Flush seal (carbon)	2	1815600117	1815600059	1815600071	1815600062	1815600073	1815600143	1815600072	1815600160	1815600158	1815600173	
68	Water pipe	2*	1910000002	1910000010			1910000019	1910000001					
69	Flush seal housing o-ring (viton)	1	N/A**					1180000293					
73	Cartridge seal o-ring (viton)	2	N/A**		(models 250-600 only)			1180000148	1180000225	1180000920	1180000686		

*Quantities may vary **N/A - models 15-20 (no cartridge)

SINGLE O-RING CARTRIDGE SEAL ASSEMBLY

MODELS 15–20

MODELS 25–250



1265000606 Rev.

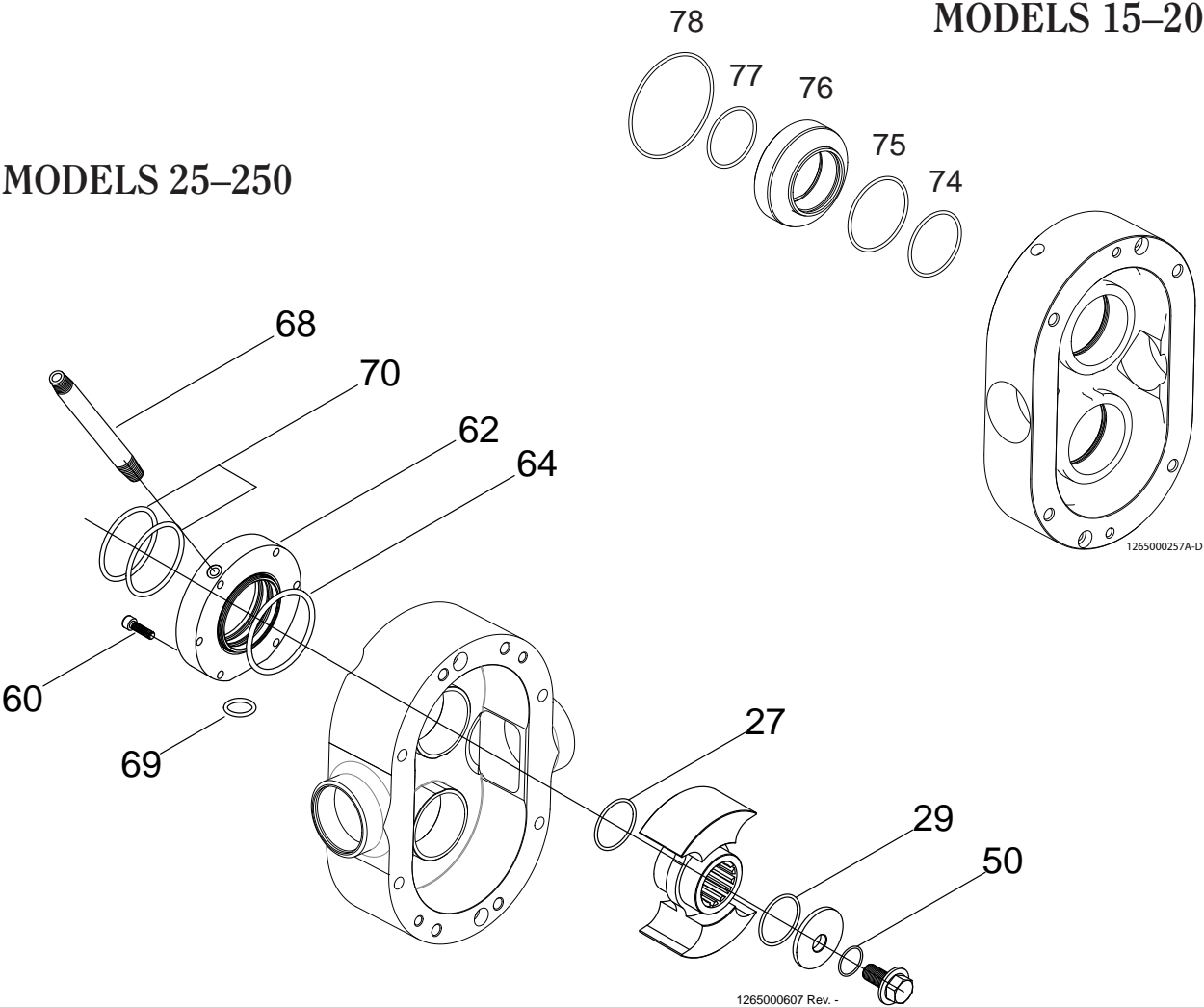
SINGLE O-RING SEAL (Models 25–250)								
Item	Description	Qty	25	50	75	150	205	250
27	Rotor o-ring (viton)	2	1180000243	1180000120	1180000014	1180000115	1180000253	1180000212
29	Rotor bolt washer o-ring (viton)	2	1180000243	1180000120	1180000014	1180000115	1180000253	1180000212
50	Rotor bolt o-ring (viton)	2		1180000085		1180000095		1180000398
60	Seal housing screw	8*		1101000219			1101000219(12)	
62	Seal housing	2	1845000012	1845000001	1845000017	1845000008	TBD	1845000003
64	Inner stationary seal o-ring (viton)	2	1180000030	1180000014	1180000253	1180000231	1180000234	1180000052
70	Seal o-ring (viton)	2	1180000206	1180000044	1180000233	1180000280	1180000234	1180000234

* Quantities may vary

SINGLE O-RING SEAL (Models 15–20)			
Item	Description	Qty	15/20
27	Rotor o-ring (viton)	2	1180000700
29	Rotor bolt washer o-ring (viton)	2	1180000700
50	Rotor bolt o-ring (viton)	2	1180000085
74	Inner seal o-ring (viton)	2	1180000350
75	Outer seal o-ring (viton)	2	1180000261
76	O-ring seal: single	2	1224000104
77	Shaft o-ring (viton)	2	1180000700

DOUBLE O-RING CARTRIDGE SEAL ASSEMBLY

MODELS 25-250

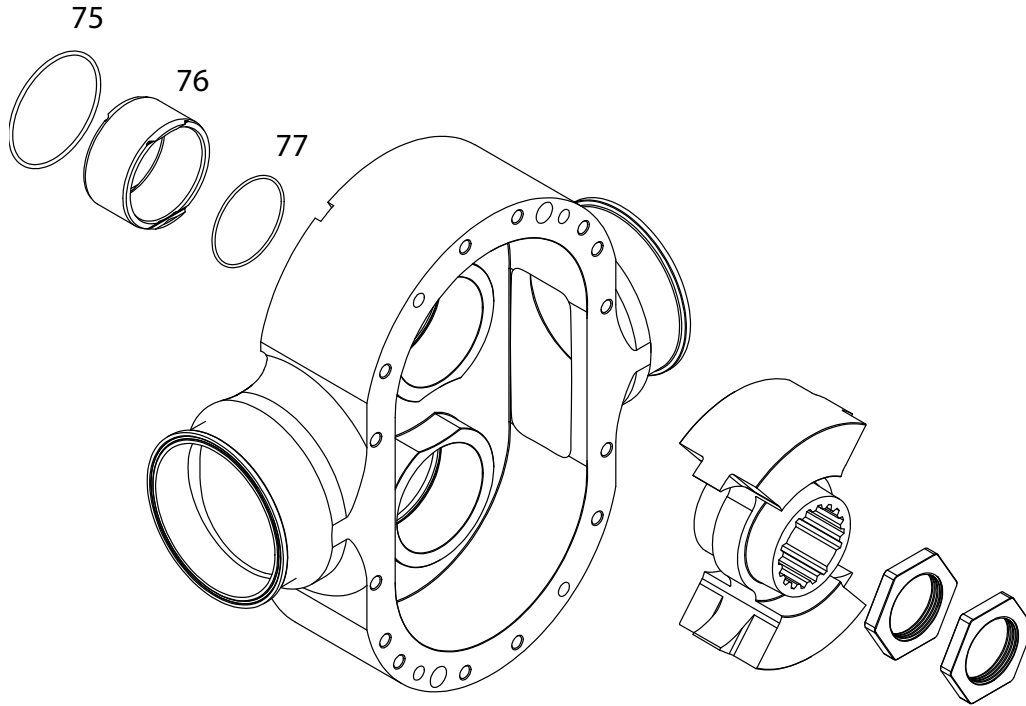


DOUBLE O-RING SEAL (Models 25-250)								
Item	Description	Qty	25	50	75	150	205	250
27	Rotor o-ring (viton)	2	1180000243	1180000120	1180000014	1180000115	1180000253	1180000212
29	Rotor bolt washer o-ring (viton)	2	1180000243	1180000120	1180000014	1180000115	1180000253	1180000212
50	Rotor bolt o-ring (viton)	2		1180000085		1180000095		1180000398
60	Seal housing screw	8*		1101000220			1101000220(12)	1101000221(12)
62	Seal housing	2	1845000011	1845000002	1845000016	1845000007	TBD	1845000009
64	Inner seal o-ring (viton)	2	1180000030	1180000014	1180000253	1180000231	1180000234	1180000052
68	Water pipe	2		1910000010			1910000001	
69	Flush seal housing o-ring (viton)	1				1180000293		
70	Seal o-ring (viton)	2	1180000206	1180000044	1180000233	1180000280	1180000234	1180000234

* Quantities may vary

DOUBLE O-RING SEAL (Models 15-20)			
Item	Description	Qty	15/20
27	Rotor o-ring (viton)	2	1180000700
29	Rotor bolt washer o-ring (viton)	2	1180000700
50	Rotor bolt o-ring (viton)	2	1180000085
74	Inner seal o-ring (viton)	2	1180000350
75	Outer seal o-ring (viton)	2	1180000261
76	O-ring seal: double	2	1224000105
77	Shaft o-ring (viton)	2	1180000700
78	Flush o-ring (viton)	2	1180000701

FKL COP O-RING SEAL ASSEMBLY



SINGLE FKL COP O-RING SEAL									
Item	Description	Qty	25	50	75	150	205	250	250
75	Outer seal o-ring (viton)	2	1180000457	1180000467	1180000467	1180000231	1180000216	1180000212	1180000239
76	Shaft sleeve: 316L (standard)	2	1810600369	1810600370	1810600371	1810600372	1810600373	1810600374	1810600375
	Shaft sleeve: 316L (hardened)		1810600367	1810600365	1810600366	1810600359	1810600368	1810600360	1810600376
77	Inner seal o-ring (viton)	2	1180000086	1180000243	1180000383	1180000111	1180000122	1180000232	1180000217

FKL COP PUMP HEAD ASSEMBLY

