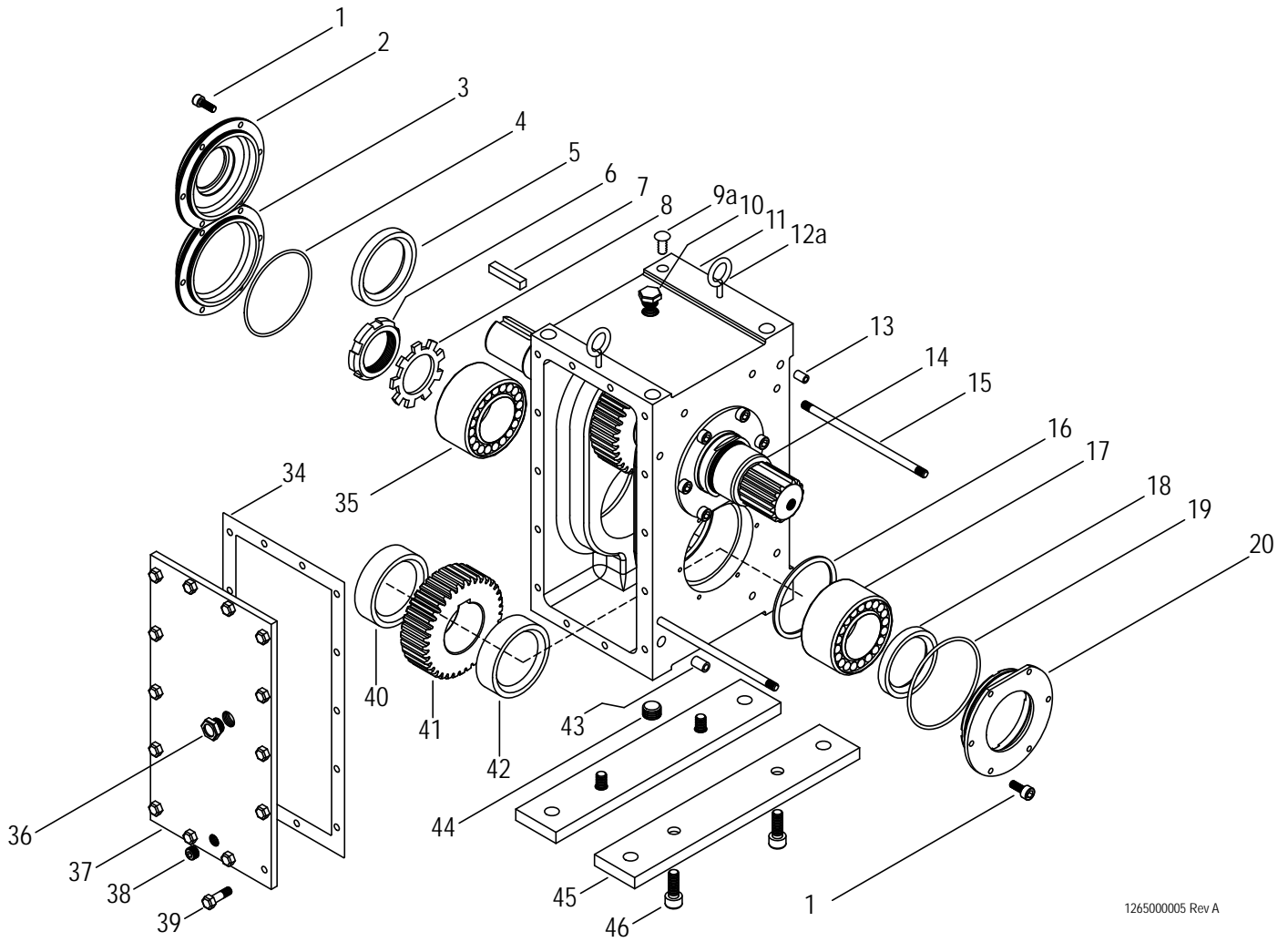
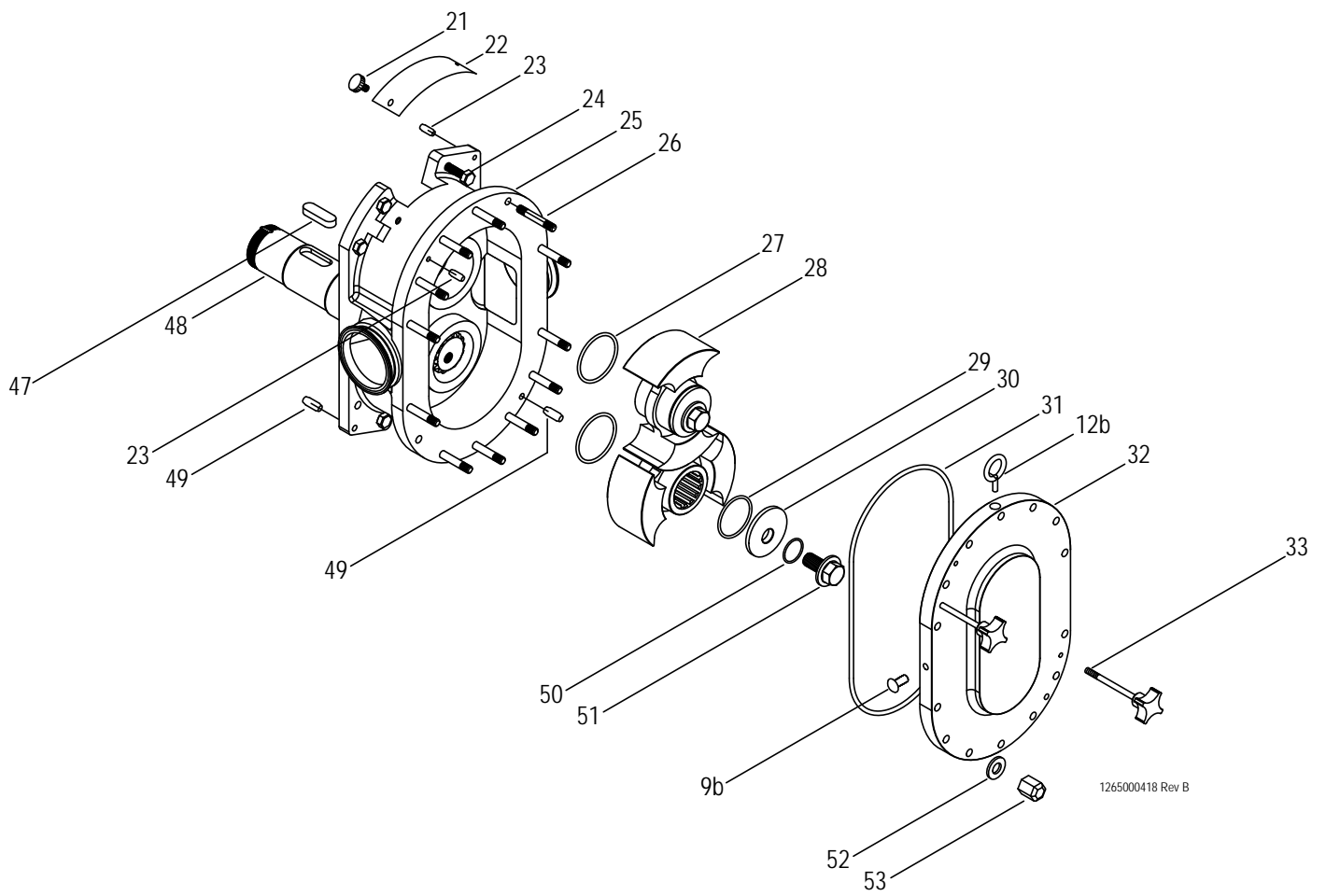


FKL (25, 75, 150, 205, 250 & 400) EXPLODED VIEW





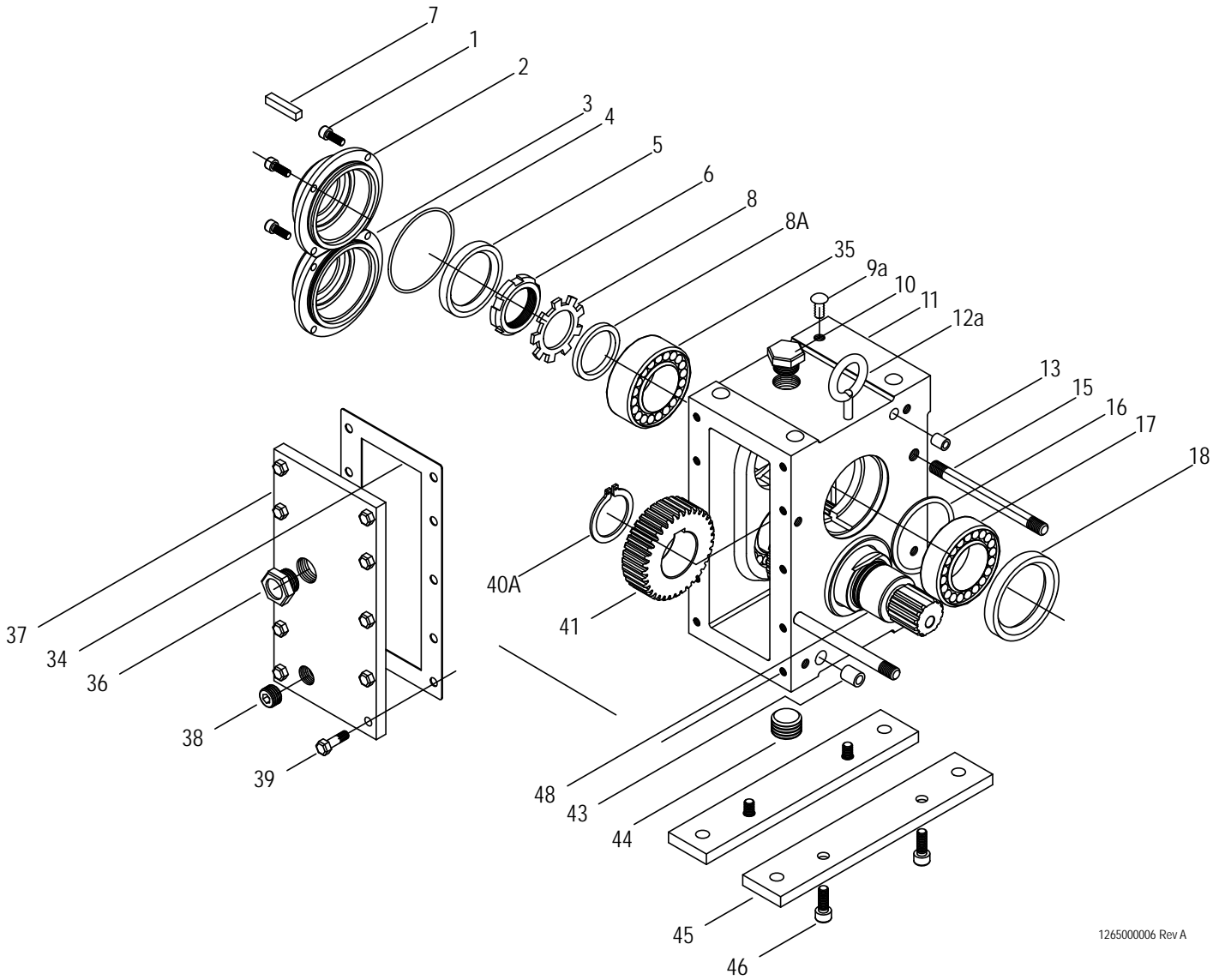
1265000418 Rev B

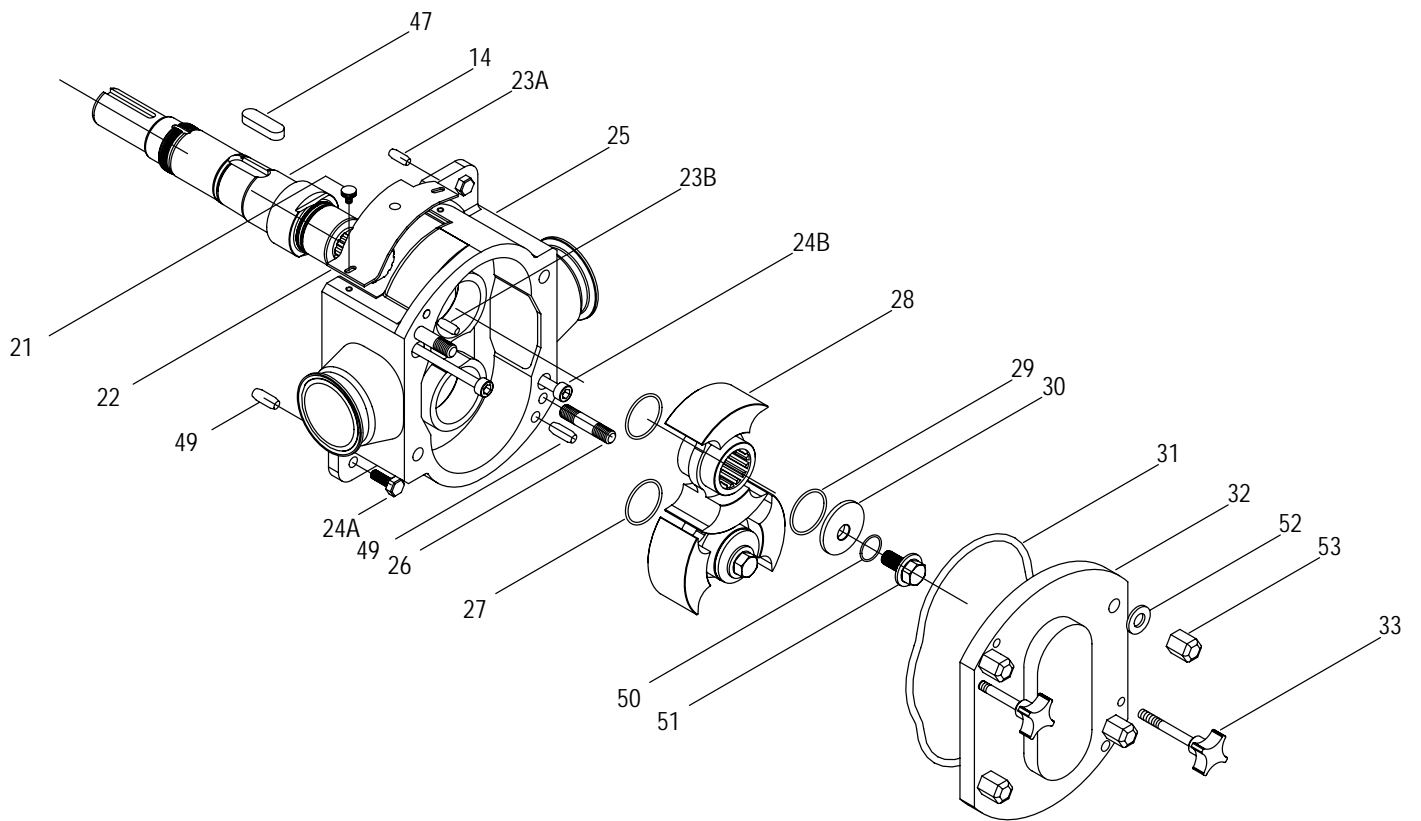
FKL (25, 75, 150, 205, 250 & 400) PART NUMBERS

Item	Description	Qty	25	75	150	205	250	400
1	Bearing cover screw	16*	1101000048	1101000032	1101000032 (18)	1101000260 (20)	1101000225 (24)	1101000036 (24)
2	Rear bearing cover (drive shaft)	1	1304000010	1304000013	1304000002	1304000022	1304000005	1304000009
3	Rear bearing cover (idle shaft)	1	1304000011	1304000014	1304000003	1304000006	1304000006	1304000008
4	Bearing cover o-ring (buna)	2	1180000241	1180000232	1180000148	1180000748	1180000214	1180000246
5	Rear lip seal	1	1812000013	1812000016	1812000012	1812000044	1812000009	1812000011
6	Bearing lock nut	2	1306000006	1306000005	1306000005	1306000004	1306000004	1306000007
7	Coupling key	1	1315000013	1315000026	1315000026	1315000042	1315000025	1315000028
8	Bearing lock nut washer	2	1104000019	1104000018	1104000018	1104000017	1104000017	1104000020
9a	Gearbox hole plug	8	1101000251	1101000253	1101000253	1101000253	1101000253	1101000254
9b	Cover hole plug	2	—	—	1101000252	1101000252	1101000252	1101000252
10	Vent plug	1	1248000013	1248000013	1248000013	1248000013	1248000013	1248000013
11	Gearbox	1	1310600045	1310600047	1310600048	1310600166	1310600049	1310600050
12a	Gearbox eyebolt	2*	1101000072 (1)	1101000163	1101000163	1101000163	1101000163	1101000152
12b	Cover eyebolt	1	—	—	1101000244	1101000244	1101000244	1101000244
13	Small mounting pin bushing	1	1224000002	1224000004	1224000004	1224000004	1224000004	1224000006
14	Drive shaft	1	1372600002	1372600010	1372600024	1372600034	1372600004	1372600006
	Drive shaft (for o-ring seal)		1372600014	1372600016	1372600018	TBD	1372600020	1372600022
15	Housing stud (long)	2*	1103000035 (6)	1103000098	1103000092	1103000094	1103000096	1103000104 (4)
16	Gapping shim kit	1	1080000054	1080000056	1080000056	1080000057	1080000057	1080000058
17	Front bearing assembly	2	1173000013	1173000014	1173000016	1173000018	1173000017	1173000019
18	Front lip seal	2	1812000014	1812000015	1812000011	1812000043	1812000008	1812000010
19	Front bearing cover o-ring	2	1180000241	1180000232	1180000148	1180000748	1180000214	1180000238
20	Front bearing cover	2	1304000012	1304000016	1304000001	1304000021	1304000004	1304000007
21	Guard knob	4	1102000000	1102000000	1102000000	1102000000	1102000000	—
22	Housing guard	2	1936000047	1936000034	1936000035	1936000150	1936000033	—
23a	Small mounting pin (housing)	1	1891000067	1891000069	1891000071	1891000071	1891000071	1891000074
23b	Small mounting pin (cover)	1	1891000067	1891000071	1891000071	1891000072	1891000072	1891000075
24	Hex head housing bolt	6*	1101000040 (2)	1101000046	1101000037	1101000037	1101000037	1101000037 (8)
25	Pump housing	1	1656610000	1660610000	1668610000	1664610000	1670610000	1672610002
26	Housing stud (short)	6*	—	1103000099	1103000091	1103000095 (12)	1103000097 (12)	1103000103 (12)
27	Rotor o-ring (viton)	2	1180000243	1180000014	1180000115	1180000253	1180000212	1180000234
28	Rotor (standard)	2	1657630000	1661630000	1669630000	1665630000	1671630000	1673630000
	Rotor (high-temperature)		1657630001	1661630001	1669630001	TBD	1671630001	1673630001
29	Rotor bolt washer o-ring (viton)	2	1180000243	1180000014	1180000115	1180000253	1180000212	1180000234
30	Rotor bolt washer	2	1104000027	1104000028	1080000042	1104000093	1080000043	1080000044
31	Cover o-ring (buna - standard)	1	1180000165	1180000593	1180000590	1180000817	1180000586	1180000757
32	Pump cover	1	1656620000	1660620000	1668620000	1664620000	1670620000	1672620000
33	Forcing screw	2	1018000012	1018000012	1018000012	1018000013	1018000013	1018000013
34	Gearbox cover gasket	1	1181000059	1181000060	1181000056	1181000175	1181000053	1181000058
35	Rear bearing assembly	2	1173000013	1173000015	1173000015	1173000018	1173000018	1173000017
36	Oil sight glass	1	1248000028	1248000028	1248000028	1248000028	1248000028	1248000028
37	Gearbox cover	1	1367000004	1367000005	1367000002	1367000006	1367000001	1367000003
38	Oil drain plug (small)	2	1248000012	1248000012	1248000012	1248000012	1248000012	1248000012
39	Gearbox cover bolt	8*	1101000011	1101000133	1101000133 (12)	1101000133 (14)	1101000133 (14)	1101000133 (14)
40	Gear spacer (rear)	2	1224000021	1224000024	1224000018	1224000109	1224000016	1224000020
41	Gear	2	1365000003	1365000004	1365000000	1365000013	1365000001	1365000002
42	Gear spacer (front)	2	1224000021	1224000023	1224000017	1224000109	1224000016	1224000019
43	Large mounting pin bushing	1	1224000004	1224000006	1224000006	1224000006	1224000006	1224000008
44	Oil drain plug (large)	1	1248000011	1248000011	1248000011	1248000011	1248000011	1248000011
45	Mounting strap	2	1925000000	1925000002	1925000003	1925000004	1925000004	1925000005
46	Mounting strap screw	4	1101000029	1101000033	1101000033	1101000033	1101000033	1101000039
47	Gear key	2	1315000014	1315000029	1315000012	1315000043	1315000024	1315000027
48	Idle shaft	1	1372600003	1372600011	1372600025	1372600035	1372600005	1372600007
	Idle shaft (for o-ring only)		1372600015	1372600017	1372600019	TBD	1372600021	1372600023
49a	Large mounting pin (housing)	1	1891000069	1891000073	1891000074	1891000074	1891000074	1891000078
49b	Large mounting pin (cover)	1	1891000069	1891000074	1891000074	1891000074	1891000074	1891000078
50	Rotor bolt o-ring (viton)	2	1180000085	1180000085	1180000095	1180000398	1180000398	1180000398
51	Rotor bolt	2	1102000001	1102000001	1102000002	1102000010	1102000010	1102000010
52	Cover nut washer	6*	1104000000	1104000002 (8)	1104000002 (8)	1104000002 (20)	1104000002 (20)	1104000002 (24)
53	Cover nut	6*	1103000032	1103000018 (8)	1103000018 (8)	1103000018 (14)	1103000018 (14)	1103000018 (16)

*Quantities may vary

FKL 50 EXPLODED VIEW





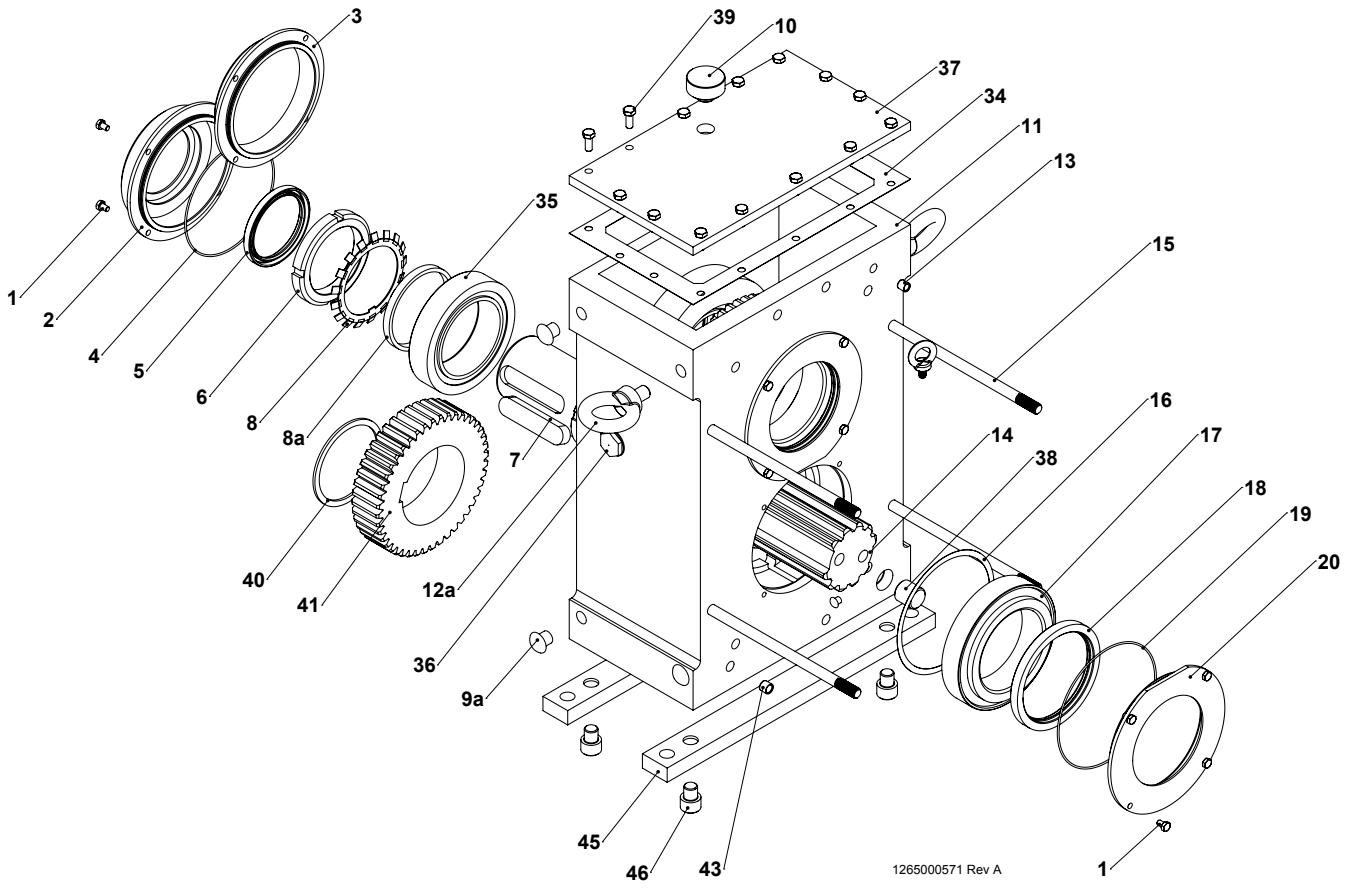
FKL 50 PART NUMBERS

Item	Description	Qty	Part #
1	Bearing cover screw	8	1101000016
2	Rear bearing cover (drive shaft)	1	1304000000
3	Rear bearing cover (idle shaft)	1	1304000015
4	Bearing cover o-ring (buna)	2	1180000317
5	Rear lip seal	1	1812000006
6	Bearing lock nut	2	1306000002
7	Coupling key	1	1315000011
8	Bearing lock nut washer	2	1104000021
8a	Bearing spacer	2	1224000022
9a	Gearbox hole plug	8	1101000251
10	Vent plug	1	1248000013
11	Gearbox	1	1310600046
12a	Gearbox eyebolt	1	1101000072
13	Small mounting pin bushing	1	1224000002
14	Drive shaft	1	1372600000
	Drive shaft (for o-ring seal)		1372600012
15	Housing stud (long)	2	1103000023
16	Gapping shim kit	1	1080000055
17	Front bearing assembly	2	1173000007
18	Front lip seal	2	1812000017
21	Guard knob	4	1102000000
22	Housing guard	2	1936000027
23a	Small mounting pin (housing)	1	1891000067
23b	Small mounting pin (cover)	1	1891000068
24a	Hex head housing bolt	2	1101000022
24b	Socket head housing screw	2	1101000023
25	Pump housing (2.5" clamp fittings)	1	1658610000
26	Housing stud (short)	2	1103000101
27	Rotor o-ring (viton)	2	1180000120

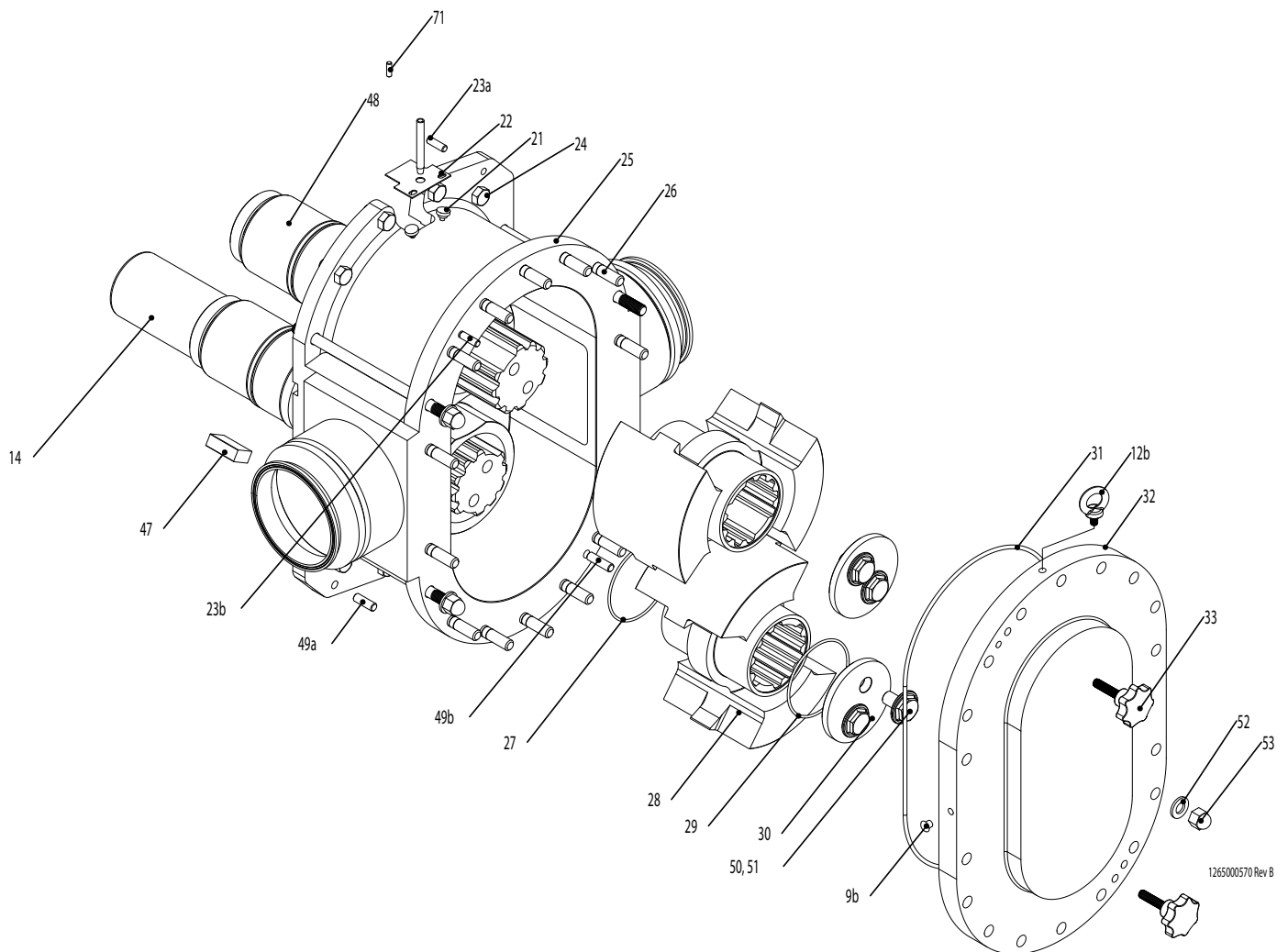
Item	Description	Qty	Part #
28	Rotor (standard)	2	1659630000
	Rotor (high-temperature)		1659630001
29	Rotor bolt washer o-ring (viton)	2	1180000120
30	Rotor bolt washer	2	1104000024
31	Cover o-ring (buna - standard)	1	1180000595
32	Pump cover	1	1658620000
33	Forcing screw	2	1018000012
34	Gearbox cover gasket	1	1181000057
35	Rear bearing assembly	2	1173000008
36	Oil sight glass	1	1248000028
37	Gearbox cover	1	1367000000
38	Oil drain plug (small)	2	1248000012
39	Gearbox cover bolt	10	1101000022
40a	Gear snap ring	2	1148000001
41	Gear	2	1365000005
43	Large mounting pin bushing	1	1224000004
44	Oil drain plug (large)	1	1248000011
45	Mounting strap	2	1925000001
46	Mounting strap screw	4	1101000029
47	Gear key	2	1315000030
48	Idle shaft	1	1372600001
	Idle shaft (for o-ring seal)		1372600013
49a	Large mounting pin (housing)	1	1891000069
49b	Large mounting pin (cover)	1	1891000070
50	Rotor bolt o-ring (viton)	2	1180000085
51	Rotor bolt	2	1102000001
52	Cover nut washer	4	1104000002
53	Cover nut	4	1103000018

*Quantities may vary

FKL 580 AND 600 EXPLODED VIEW



1265000571 Rev A



FKL 580 AND 600 PART NUMBERS

Item	Description	Qty	580	600
1	Bearing cover screw	16	1101000241	
2	Rear bearing cover (drive shaft)	1	0386630001	
3	Rear bearing cover (idle shaft)	1	0386630000	
4	Rear Bearing cover o-ring (buna)	2	1180000001	
5	Rear lip seal	1	0182160001	
6	Bearing lock nut	2	1306000000	
7	Coupling key	1	1315000015	
8	Bearing lock nut washer	2	1104000066	
8a	Bearing spacer	2	0387660001	
9a	Gearbox hole plug	6	1101000254	
9b	Cover hole plug	2	1101000252	
10	Vent plug	1	1248000016	
11	Gearbox	1	1310600099	
12a	Gearbox eyebolt	2	1101000152	
12b	Cover eyebolt	1	1101000244	
13	Small mounting pin bushing	1	1224000006	
14	Drive shaft	1	1372600066	1372600008
	Drive shaft (for o-ring seal)		N/A	N/A
15	Housing stud (long)	4	1103000117	N/A
16	Gapping shim kit	1	1080000098	
17	Front bearing assembly	2	1173000005	
18	Front lip seal	2	0182160000	
19	Front bearing cover o-ring	2	1180000002	
20	Front bearing cover	2	0386630002	
21	Guard knob	4	1102000000	
22	Housing guard	2	1936000155	1936000168
23a	Small housing pin	1	1891000074	
23b	Small cover pin	1	1891000075	
24	Hex head housing bolt	8*	1101000001	1101000001 (12)
25	Pump housing	1	1674610000	1676610003
26	Housing stud (short)	14	1103000055	
27	Rotor o-ring (viton)	4	1180000919	
28	Rotor (standard)	2	1675630000	1677630000
	Rotor (high-temperature)		1675630001	TBD
29	Rotor bolt washer o-ring (viton)	2	1180000919	
30	Rotor bolt washer	2	1104000096	1104000105**
31	Cover o-ring (buna - standard)	1	1180000930	1180000494
32	Pump cover	1	1674620000	1676620000
33	Forcing screw	2	1018000066	
34	Gearbox cover gasket	1	0386650001	
35	Rear bearing assembly	2	1173000006	
36	Oil sight glass	2	0248120001	
37	Gearbox cover	1	0386620001	
38	Oil drain plug	2	0129300100	
39	Gearbox cover bolt	14	1101000133	
40	Gear snap ring	2	1148000000	
41	Gear	2	0387670001	
43	Large mounting pin bushing	1	1224000008	
45	Mounting strap	2	1925000006	
46	Mounting strap screw	4	1101000003	
47	Gear key	2	1315000000	
48	Idle shaft	1	1372600067	1372600009
	Idle shaft (for o-ring seal)		N/A	N/A
49a	Large housing pin	1	1891000078	
49b	Large cover pin	1	1891000078	
50	Rotor bolt o-ring (viton)	4	1180000398	1180000398**
51	Rotor bolt	4	1102000010	1102000010***
52	Cover nut washer	18	1104000022	
53	Cover nut	18	1103000012	
71	Rotating seal pin	2	N/A	1891000036

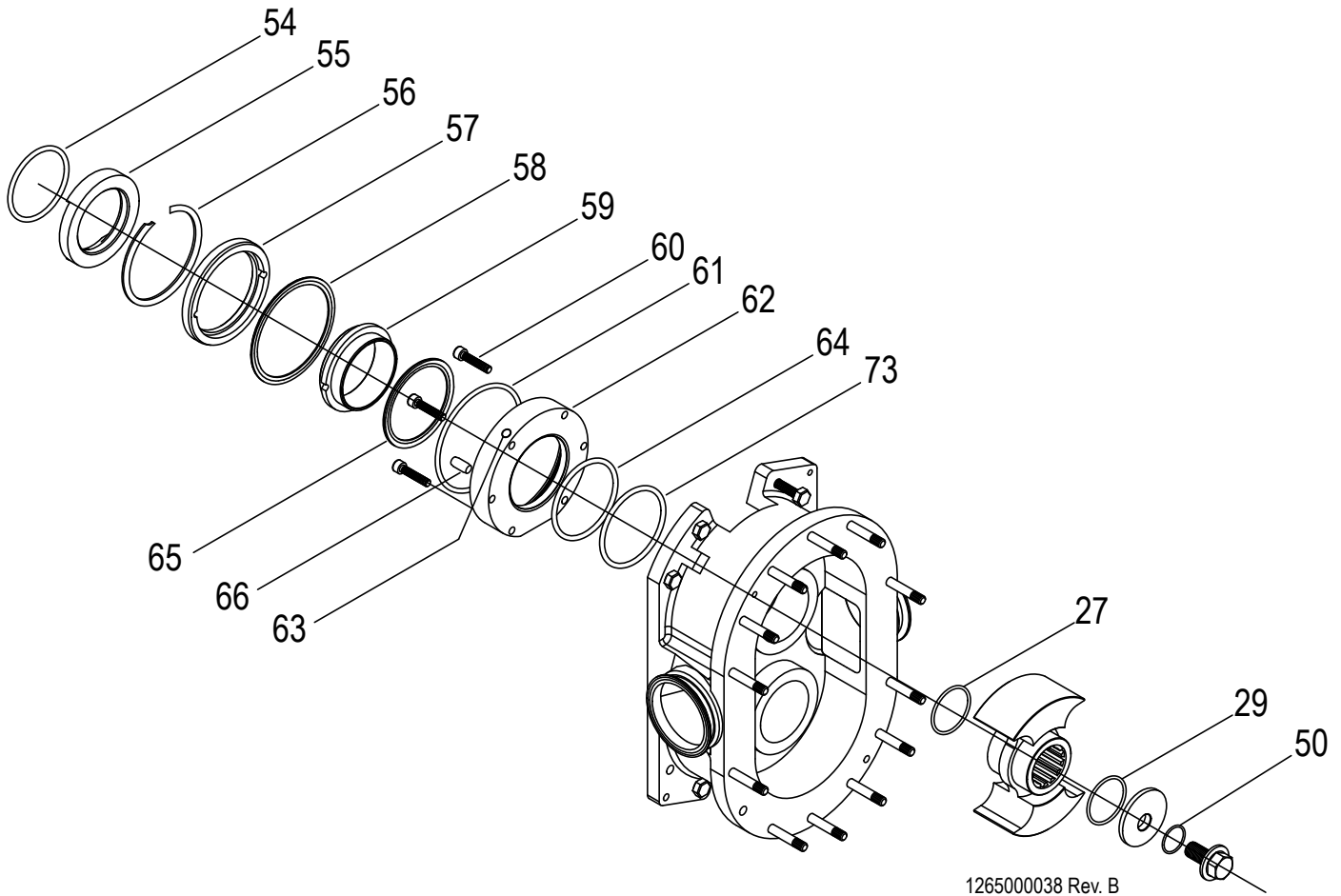
* Quantities may vary

** For models built prior to August 2015, items 30 and 50 are not needed.

*** For models built prior to August 2015, item 51 is replaced by parts 1102000004 and 1102000005 (1 each per pump).

*Quantities may vary

FKL SINGLE MECHANICAL SEAL



1265000038 Rev. B

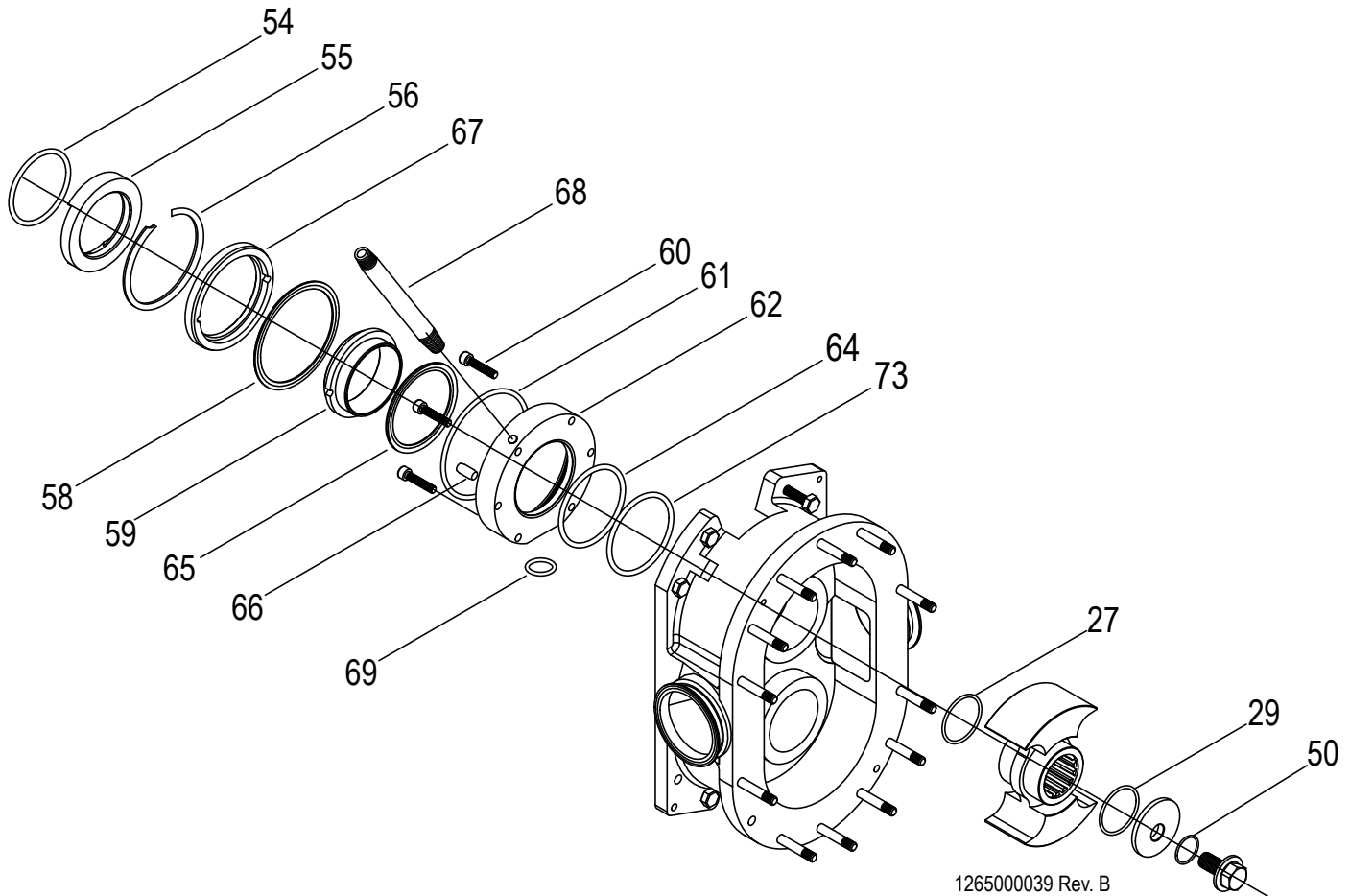
PARTS & PART NUMBERS

FKL SINGLE MECHANICAL SEAL												
Item	Description	Qty	15/20	25	50	75	150	205	250	400	580	600
27	Rotor o-ring (viton)	2	1180000700	1180000243	1180000120	1180000014	1180000115	1180000253	1180000212	1180000234	1180000919	
29	Rotor bolt washer o-ring (viton)	2	1180000700	1180000243	1180000120	1180000014	1180000115	1180000253	1180000212	1180000234	1180000919	
50	Rotor bolt o-ring (viton)	2*	1180000085				1180000095		1180000398		1180000398 (4)	
54	Rotating seal o-ring (viton)	2*	1180000700	1180000243	1180000032	1180000275	1180000112	1180000256	1180000217	1180000216	1180000919	1180000012
55	Rotating seal (Chrome oxide/SS)	2	1810600112	1810600075	1810600057	1810600076	1810600066	1810600124	1810600042	1810600074	1810600130	1810600087
55	Rotating seal (Silicon carbide)	2	1810600113	1810600085	1810600036	1810600077	1810600067	1810600123	1810600062	1810600086	1810600141	N/A
56	Seal retaining ring	2	N/A**	1148000018	1148000014	1148000019	1148000016	1148000032	1148000015	1148000017	1148000035	1148000020
57	Single seal insert	2	N/A**	1815600019	1815600020	1815600021	1815600022	1815600144	1815600023	1815600024	1815600151	1815600099
58	Outer seal spring	2	N/A**	1820000037	1820000018	1820000040	1820000022	1820000069	1820000020	1820000024	1820000071	1820000055
59	Stationary seal (carbon)	2	1815600115	1815600058	1815600049	1815600060	1815600051	1815600142	1815600052	1815600055	1815600157	TBD
	Stationary seal (Silicon carbide)		1815600182	1815600183	1815600184	1815600185	1815600186	1815600199	1815600187	1815600200	N/A	N/A
	Stationary seal (Chrome oxide/SS)		1815600128	1815600086	1815600066	1815600112	1815600108	1815600141	1815600106	1815600097	1810600172	1815600070
60	Seal housing screw	8	N/A**	1101000220		1101000221	1101000220(12)	1101000221(12)	1101000221(12)	1101000222(12)	1101000010 (16)	1101000002 (16)
61	Outer seal o-ring (viton)	2	N/A**	1180000256	1180000186	1180000148	1180000225	1180000215		1180000240	1180000922	1180000019
62	Seal housing	2	N/A**	1845000010	1845000000	1845000015	1845000006	1845000045	1845000005	1845000004	1845000048	1845000028
63	Plastic cover plug	2*	N/A**	1248000006				1248000006		1248000002		
64	Inner seal o-ring (viton)	2	1180000261	1180000030	1180000014	1180000253	1180000231	1180000234	1180000052	1180000239	1180000017	1180000455
65	Inner seal spring	2	1820000041	1820000038	1820000017	1820000039	1820000021	1820000068	1820000019	1820000023	1820000070	1820000054
66	Seal pin	4	1891000051	1891000011	1891000009	1891000013	1891000009	1891000013	1891000009	1891000010	1891000088	1891000043
73	Cartridge seal o-ring (viton)	2	N/A**	(models 250-600 only)				1180000148		1180000225	1180000920	1180000686

*Quantities may vary **N/A - models 15-20 (no cartridge)

*Quantities may vary

FKL DOUBLE MECHANICAL SEAL



1265000039 Rev. B

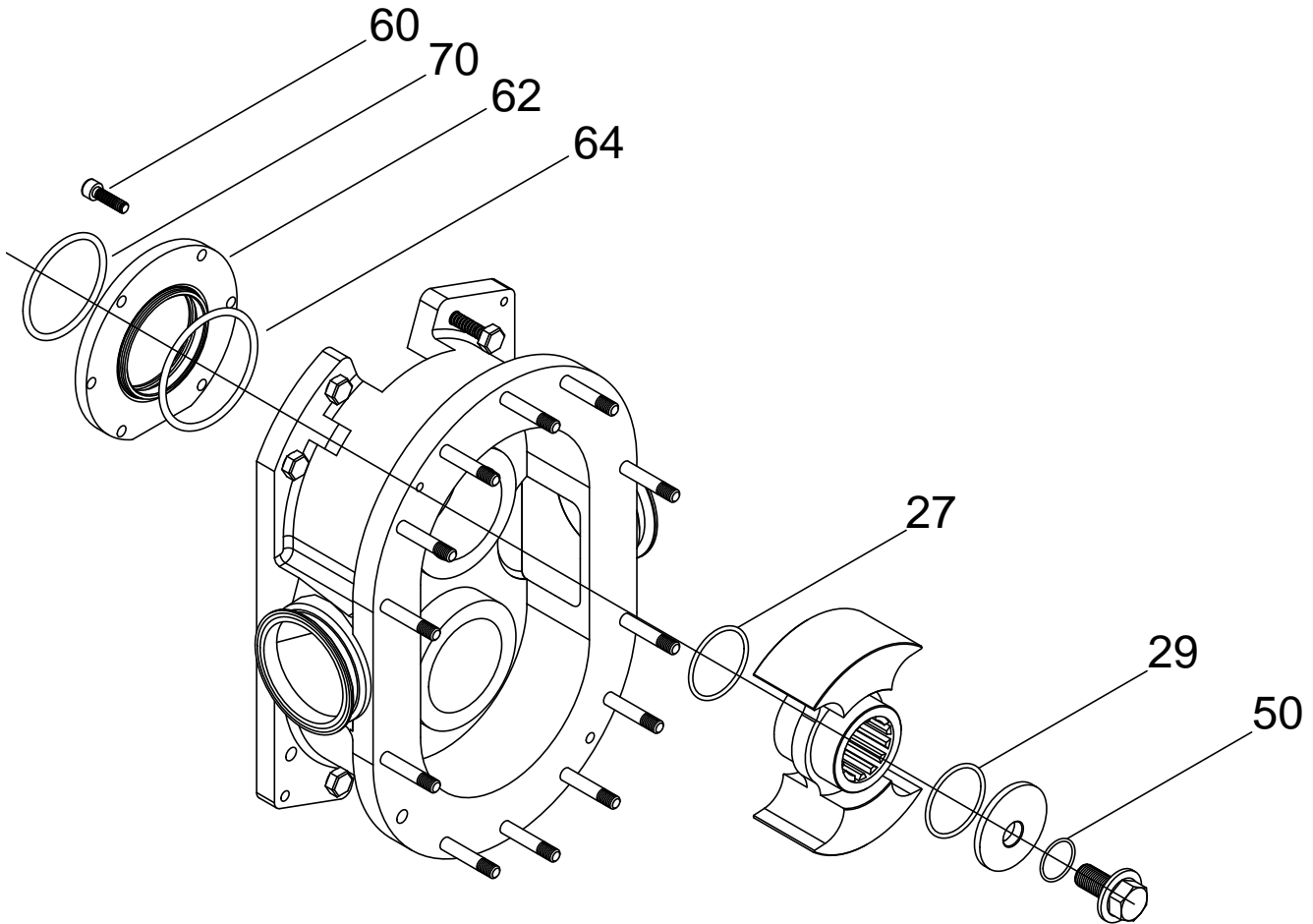
PARTS & PART NUMBERS

FKL DOUBLE MECHANICAL SEAL												
Item	Description	Qty	15/20	25	50	75	150	205	250	400	580	600
27	Rotor o-ring (viton)	2	1180000700	1180000243	1180000120	1180000014	1180000115	1180000253	1180000212	1180000234		1180000919
29	Rotor bolt washer o-ring (viton)	2	1180000700	1180000243	1180000120	1180000014	1180000115	1180000253	1180000212	1180000234		1180000919
50	Rotor bolt o-ring (viton)	2*		1180000085			1180000095		1180000398			1180000398 (4)
54	Rotating seal o-ring (viton)	2	1180000700	1180000243	1180000032	1180000275	1180000112	1180000256	1180000217	1180000216	1180000919	1180000012
55	Rotating seal (Chrome oxide/SS)	2	1810600112	1810600075	1810600057	1810600076	1810600066	1810600124	1810600042	1810600074	1810600130	1810600087
		2	1810600113	1810600085	1810600036	1810600077	1810600067	1810600123	1810600062	1810600086	1810600141	N/A
56	Rotating seal (Silicon carbide)	2	N/A**	1148000018	1148000014	1148000019	1148000016	1148000032	1148000015	1148000017	1148000035	1148000020
56	Seal retaining ring	2	N/A**									
58	Outer seal spring	2	N/A**	1820000037	1820000018	1820000040	1820000022	1820000069	1820000020	1820000024	1820000071	1820000055
59	Stationary seal (carbon)	2	1815600115	1815600058	1815600049	1815600060	1815600051	1815600142	1815600052	1815600055	1815600157	TBD
	Stationary seal (Silicon carbide)	2	1815600182	1815600183	1815600184	1815600185	1815600186	1815600199	1815600187	1815600200	N/A	N/A
	Stationary seal (Chrome oxide/SS)	2	1815600128	1815600086	1815600066	1815600112	1815600108	1815600141	1815600106	1815600097	1810600172	1815600070
60	Seal housing screw	8*	N/A**	1101000220		1101000221	1101000220(12)	1101000221(12)	1101000221(12)	1101000221(12)	1101000010 (16)	1101000002 (16)
61	Outer seal o-ring (viton)	2	1180000701	1180000256	1180000186	1180000148	1180000225	1180000215		1180000240	1180000922	1180000919
62	Seal housing	2	N/A**	1845000010	1845000000	1845000015	1845000006	1845000045	1845000005	1845000004	1845000048	1845000028
64	Inner seal o-ring (viton)	2	1180000261	1180000030	1180000014	1180000253	1180000231	1180000234	1180000052	1180000239	1180000017	1180000455
65	Inner seal spring	2	1820000041	1820000038	1820000017	1820000039	1820000021	1820000068	1820000019	1820000023	1820000070	1820000054
66	Seal pin	4	1891000051	1891000011	1891000009	1891000013	1891000009	1891000013	1891000009	1891000010	1891000088	1891000043
67	Flush seal (carbon)	2	1815600117	1815600059	1815600071	1815600062	1815600073	1815600143	1815600072	1815600160	1815600158	1815600173
68	Water pipe	2*	1910000002	1910000010		1910000019		1910000001			1910000003	1910000034
69	Flush seal housing o-ring (viton)	1	N/A**				1180000293					N/A
73	Cartridge seal o-ring (viton)	2	N/A**				(models 250-600 only)		1180000148	1180000225	1180000920	1180000686

* Quantities may vary ** N/A - models 15-20 (no cartridge)

*Quantities may vary

FKL SINGLE O-RING SEAL



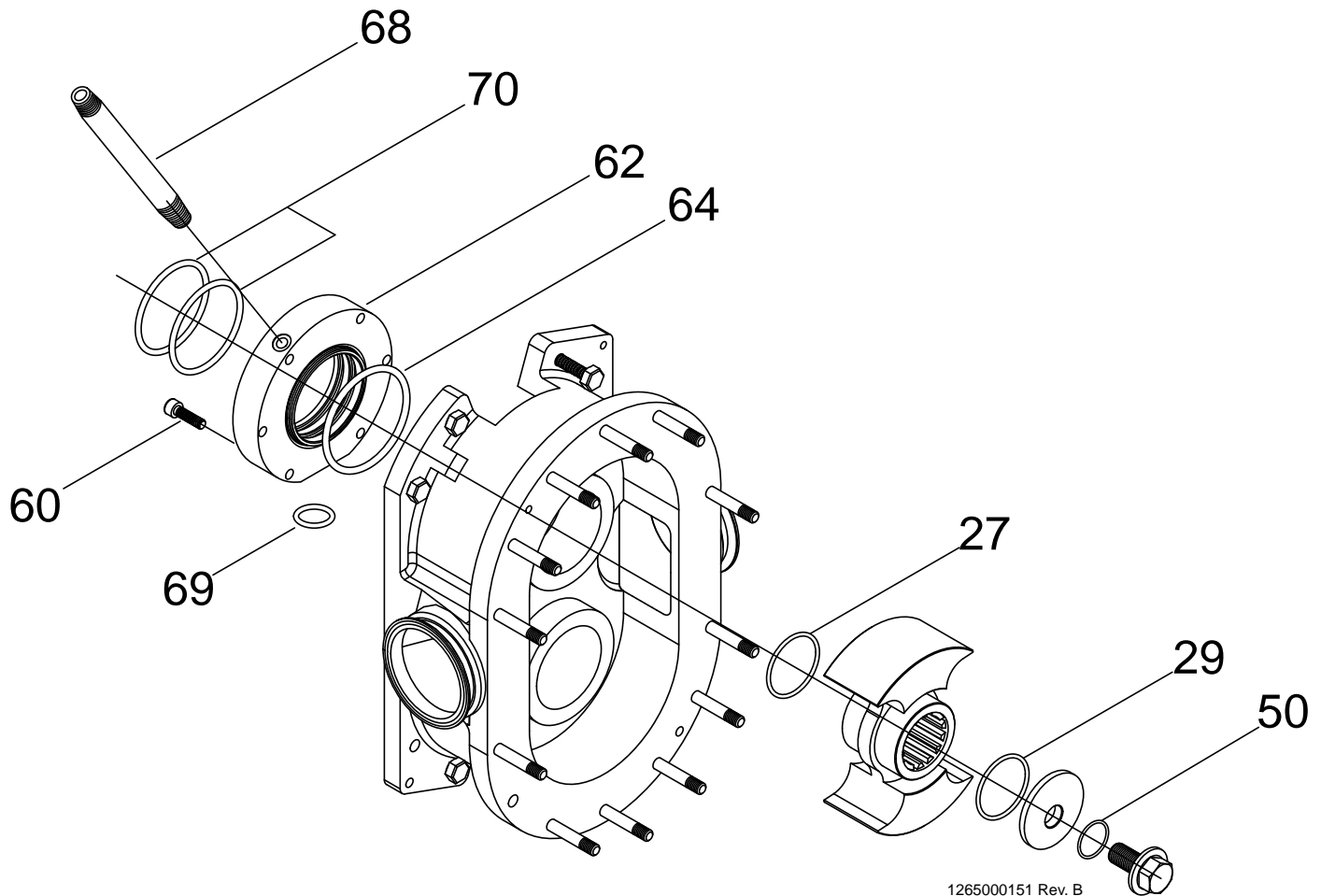
1265000150 Rev. B

PARTS & PART NUMBERS

SINGLE O-RING SEAL (Models 25-250)								
Item	Description	Qty	25	50	75	150	205	250
27	Rotor o-ring (viton)	2	1180000243	1180000120	1180000014	1180000115	1180000253	1180000212
29	Rotor bolt washer o-ring (viton)	2	1180000243	1180000120	1180000014	1180000115	1180000253	1180000212
50	Rotor bolt o-ring (viton)	2		1180000085		1180000095	1180000398	
60	Seal housing screw	8*		1101000219		1101000219(12)		
62	Seal housing	2	1845000012	1845000001	1845000017	1845000008	TBD	1845000003
64	Inner stationary seal o-ring (viton)	2	1180000030	1180000014	1180000253	1180000231	1180000234	1180000052
70	Seal o-ring (viton)	2	1180000206	1180000044	1180000233	1180000280	1180000234	1180000234

* Quantities may vary

FKL DOUBLE O-RING SEAL



1265000151 Rev. B

PARTS & PART NUMBERS

DOUBLE O-RING SEAL (Models 25–250)								
Item	Description	Qty	25	50	75	150	205	250
27	Rotor o-ring (viton)	2	1180000243	1180000120	1180000014	1180000115	1180000253	1180000212
29	Rotor bolt washer o-ring (viton)	2	1180000243	1180000120	1180000014	1180000115	1180000253	1180000212
50	Rotor bolt o-ring (viton)	2	1180000085		1180000095		1180000398	
60	Seal housing screw	8*	1101000220			1101000220(12)		1101000221(12)
62	Seal housing	2	1845000011	1845000002	1845000016	1845000007	TBD	1845000009
64	Inner seal o-ring (viton)	2	1180000030	1180000014	1180000253	1180000231	1180000234	1180000052
68	Water pipe	2	1910000010			1910000001		
69	Flush seal housing o-ring (viton)	1	1180000293					
70	Seal o-ring (viton)	2	1180000206	1180000044	1180000233	1180000280	1180000234	1180000234

* Quantities may vary