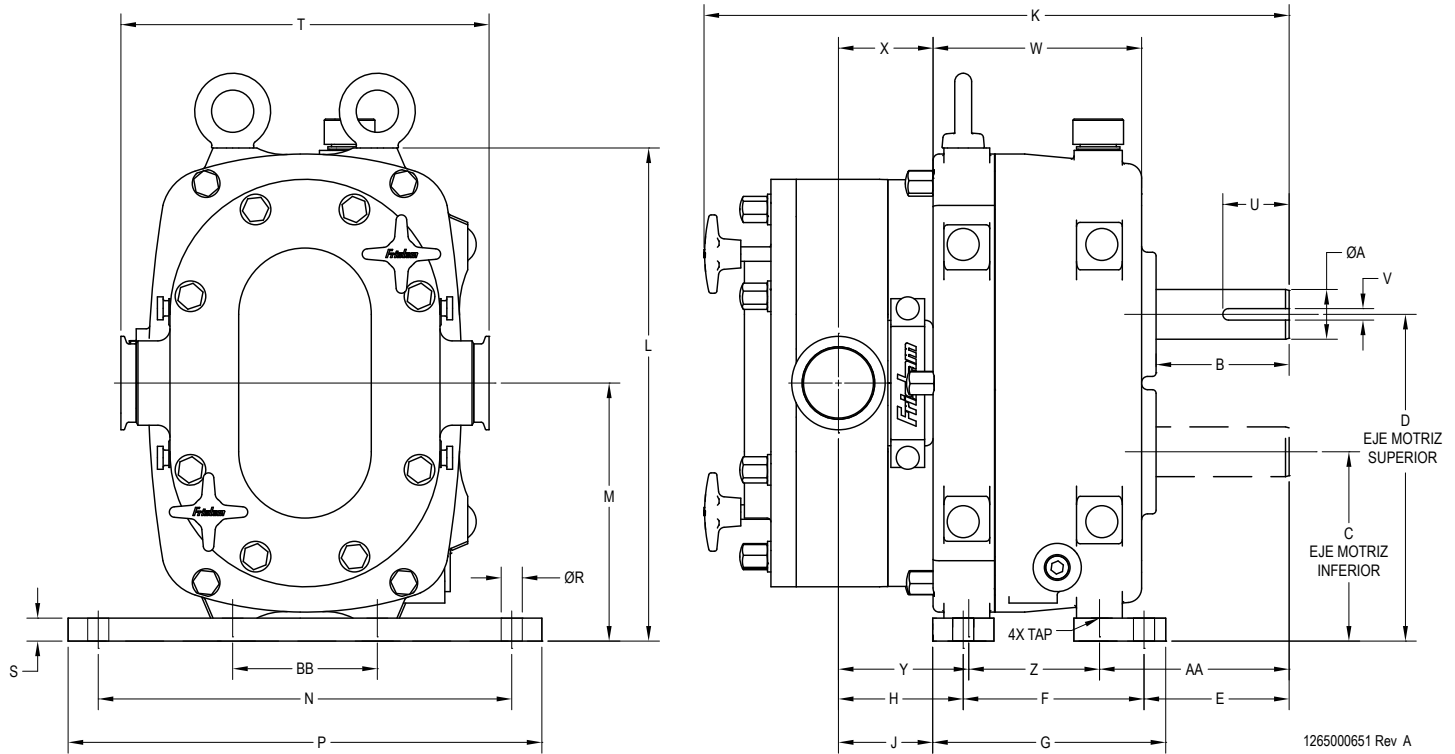


Diagrama dimensional de la bomba FKL Modelos: 15-600 Montaje: horizontal



1265000651 Rev A

DIMENSIONES EN MILIMETROS (PULGADAS)

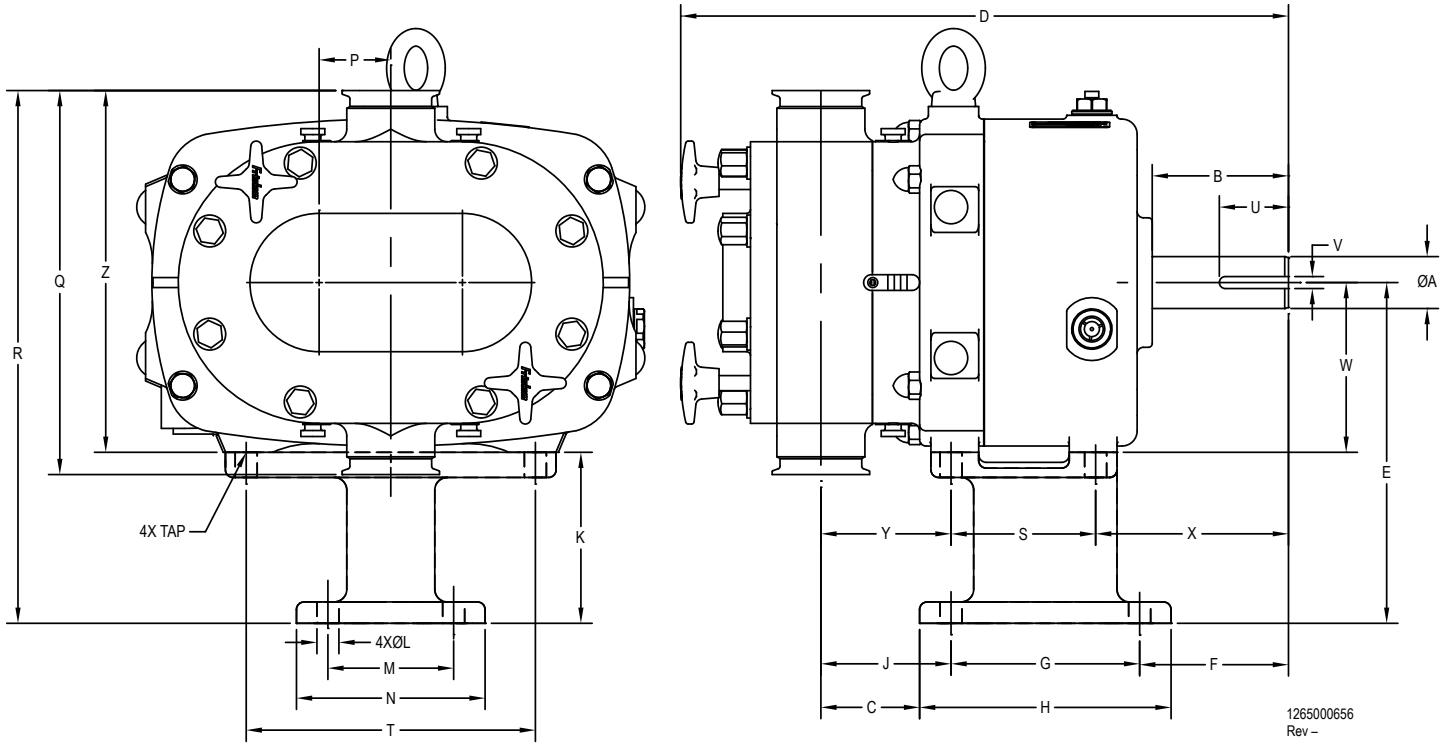
| MODELO | ENTRADA/ SALIDA | ØA | B | C | D | E | F | G | H | J | K | L | M | N |
|----------|--------------------|----------------|------------------|------------------|-------------------|------------------|------------------|-------------------|------------------|-----------------|-------------------|-------------------|-------------------|-----------------|
| FKL 15 | 1-1/2" CLAMP | 3/4" | 62.5 (2.46") | 71.5 (2.81") | 137.5 (5.41") | 82 (3.23") | 82 (3.23") | 107 (4.21") | 39 (1.54") | 27 (1.06") | 277 (10.91") | 199.5 (7.85") | 104.5 (4.11") | 150 (5.91") |
| FKL 20 | 1-1/2" CLAMP | 3/4" | 62.5 (2.46") | 71.5 (2.81") | 137.5 (5.41") | 82 (3.23") | 82 (3.23") | 107 (4.21") | 39 (1.54") | 27 (1.06") | 280 (11.02") | 199.5 (7.85") | 104.5 (4.11") | 150 (5.91") |
| FKL 25 | 1-1/2" CLAMP | 1-1/4" | 61 (2.40") | 93.5 (3.68") | 173.5 (6.83") | 76 (2.99") | 117 (4.61") | 155 (6.10") | 84 (3.31") | 65 (2.56") | 358 (14.09") | 254.5 (10.02") | 133.5 (5.26") | 219 (8.62") |
| FKL 50 | 2-1/2" CLAMP | 1-3/8" | 73 (2.87") | 102.5 (4.04") | 192.5 (7.58") | 120.5 (4.74") | 85 (3.35") | 136 (5.35") | 88 (3.46") | 63 (2.48") | 391 (15.39") | 282.5 (11.12") | 147.5 (5.81") | 240 (9.45") |
| FKL 75 | 2-1/2" CLAMP | 1-5/8" | 108 (4.25") | 157 (6.18") | 271 (10.67") | 118 (4.65") | 150 (5.91") | 193 (7.60") | 103.5 (4.07") | 78 (3.07") | 483 (19.02") | 409 (16.10") | 214 (8.43") | 343 (13.50") |
| FKL 150 | 3" CLAMP | 1-3/4" | 99.5 (3.92") | 171 (6.73") | 291 (11.46") | 114 (4.49") | 177.5 (6.99") | 227.5 (8.96") | 111.5 (4.39") | 86.5 (3.40") | 521 (20.51") | 443 (17.44") | 231 (9.09") | 364 (14.33") |
| FKL 205 | 4" CLAMP | 2-1/4" | 116 (4.57") | 174.5 (6.87") | 323 (12.72") | 143 (5.63") | 182 (7.17") | 233 (9.17") | 113 (4.45") | 87.5 (3.44") | 577 (22.72") | 478.5 (18.84") | 249 (9.80") | 381 (15.00") |
| FKL 250 | 4" CLAMP | 2-1/2" | 122 (4.80") | 194.5 (7.66") | 357 (14.06") | 129.5 (5.10") | 215 (8.46") | 265 (10.43") | 123 (4.84") | 98 (3.86") | 604 (23.78") | 532.5 (20.96") | 276 (10.87") | 381 (15.00") |
| FKL 400 | 6" CLAMP | 2-7/8" | 129.5 (5.10") | 209.5 (8.25") | 385.5 (15.18") | 127 (5.00") | 234 (9.21") | 284.5 (11.20") | 107 (4.21") | 82 (3.23") | 661.5 (26.05") | 569.5 (22.42") | 297.5 (11.71") | 432 (17.01") |
| FKL 580 | 6" CLAMP | 98 (3.88") | 141 (5.55") | 235 (9.27") | 455 (17.93") | 208 (8.19") | 204 (8.03") | 255 (10.03") | 173 (6.80") | 148 (5.81") | 777 (30.60") | 681 (26.81") | 345 (13.58") | 500 (19.69") |
| FKL 600* | 6" CLAMP | 100 (3.94") | 141 (5.55") | 235 (9.27") | 455 (17.93") | 208 (8.19") | 204 (8.03") | 255 (10.03") | 197 (7.75") | 172 (6.77") | 801 (31.54") | 681 (26.81") | 345 (13.58") | 500 (19.69") |

DIMENSIONES EN MILIMETROS (PULGADAS)

| MODELO | ENTRADA/ SALIDA | P | ØR | S | T | U | V | W | X | Y | Z | AA | BB | TAP |
|----------|--------------------|-----------------|-----------------|-----------------|-------------------|----------------|-----------------|-----------------|------------------|------------------|-----------------|------------------|-----------------|------------|
| FKL 15 | 1-1/2" CLAMP | 170 (6.69") | 10.5 (0.41") | 9.5 (0.37") | 173 (6.81") | 50 (1.97") | 4.8 (0.19") | 107 (4.21") | 33 (1.30") | 60 (2.36") | 61.5 (2.42") | 81.5 (3.21") | 58 (2.28") | M8 X 1.25" |
| FKL 20 | 1-1/2" CLAMP | 170 (6.69") | 10.5 (0.41") | 9.5 (0.37") | 173 (6.81") | 50 (1.97") | 4.8 (0.19") | 107 (4.21") | 33 (1.30") | 60 (2.36") | 61.5 (2.42") | 81.5 (3.21") | 58 (2.28") | M8 X 1.25" |
| FKL 25 | 1-1/2" CLAMP | 241 (9.49") | 11 (0.43") | 12.5 (0.50") | 198 (7.80") | 33 (1.30") | 6.4 (0.25") | 137 (5.39") | 69.5 (2.74") | 96 (3.78") | 93 (3.66") | 88 (3.46") | 84 (3.31") | M10 X 1.5" |
| FKL 50 | 2-1/2" CLAMP | 280 (11.02") | 13.5 (0.53") | 12.5 (0.50") | 285 (11.22") | 55 (2.17") | 7.9 (0.31") | 141 (5.55") | 67.5 (2.66") | 94.5 (3.72") | 85 (3.35") | 114 (4.49") | 96 (3.78") | M10 X 1.5" |
| FKL 75 | 2-1/2" CLAMP | 393 (15.47") | 17.5 (0.69") | 19 (0.75") | 306 (12.05") | 55 (2.17") | 9.5 (0.38") | 173 (6.81") | 78.5 (3.09") | 103.5 (4.07") | 115 (4.53") | 153 (6.02") | 120 (4.72") | M16 X 2.0" |
| FKL 150 | 3" CLAMP | 414 (16.30") | 17.5 (0.69") | 19 (0.75") | 326 (12.83") | 61 (2.40") | 9.5 (0.38") | 184 (7.24") | 96.5 (3.80") | 123.5 (4.85") | 121 (4.76") | 158.5 (6.24") | 121 (4.76") | M16 X 2.0" |
| FKL 205 | 4" CLAMP | 419 (16.50") | 17.5 (0.69") | 19 (0.75") | 344 (13.54") | 75 (2.95") | 12.7 (0.50") | 222 (8.74") | 88.5 (3.48") | 126.5 (4.98") | 155 (6.1") | 156.5 (6.16") | 182 (7.17") | M16 X 2.0" |
| FKL 250 | 4" CLAMP | 419 (16.50") | 17.5 (0.69") | 19 (0.75") | 377 (14.84") | 65 (2.56") | 15.9 (0.63") | 234 (9.21") | 106.5 (4.19") | 144.5 (5.69") | 172 (6.77") | 151 (5.94") | 182 (7.17") | M16 X 2.0" |
| FKL 400 | 6" CLAMP | 482 (18.98") | 22 (0.88") | 25.5 (1.00") | 499.5 (19.66") | 80 (3.15") | 19 (0.75") | 265 (10.43") | 88.5 (3.49") | 127.5 (5.02") | 193 (7.60") | 172.5 (6.79") | 208 (8.19") | M20 X 2.5" |
| FKL 580 | 6" CLAMP | 540 (21.25") | 22 (0.88") | 25.5 (1.00") | 704 (27.72") | 135 (5.31") | 28 (1.10") | 254 (10.00") | 148 (5.83") | 173 (6.81") | 204 (8.03") | 209 (8.23") | 403 (15.87") | M20 X 2.5" |
| FKL 600* | 6" CLAMP | 540 (21.25") | 22 (0.88") | 25.5 (1.00") | 707 (27.83") | 135 (5.31") | 28 (1.10") | 254 (10.00") | 172 (6.77") | 197 (7.76") | 204 (8.03") | 209 (8.23") | 403 (15.87") | M20 X 2.5" |

* Estos modelos no estan disponibles en la caja de engranajes de estilo partido.
Visitenos en www.fristam.com/usa para dibujos de estos modelos.

Diagrama dimensional de la bomba FKL
Modelos: 15–600
Montaje: vertical



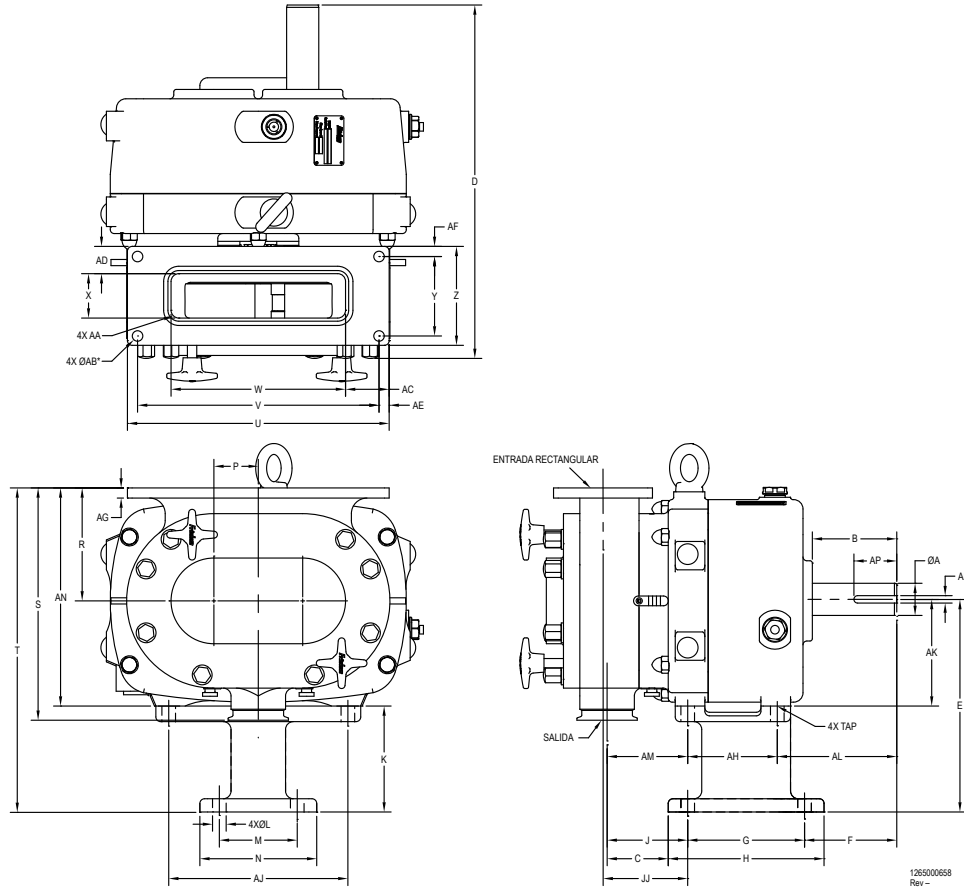
1265000656
Rev -

| DIMENSIONES EN MILIMETROS (PULGADAS) | | | | | | | | | | | | |
|--------------------------------------|--------------------|---------------|-----------------|----------------|------------------|------------------|-----------------|---------------|----------------|-----------------|---------------|----------------|
| MODELO | ENTRADA/ SALIDA | ØA | B | C | D | E | F | G | H | J | K | ØL |
| FKL 15 | 1-1/2" CLAMP | 3/4" | 62.5 (2.46) | 30 (1.17) | 277 (10.91) | 141 (5.55) | 82 (3.23) | 82 (3.23) | 100 (3.94) | 39 (1.53) | 78 (3.07) | 9 (0.35) |
| FKL 20 | 1-1/2" CLAMP | 3/4" | 62.5 (2.46) | 30 (1.17) | 280 (11.02) | 141 (5.55) | 82 (3.23) | 82 (3.23) | 100 (3.94) | 39 (1.53) | 78 (3.07) | 9 (0.35) |
| FKL 25 | 1-1/2" CLAMP | 1-1/4" | 61 (2.40) | 66 (2.60) | 358 (14.09) | 174 (6.85) | 76 (3.00) | 117 (4.61) | 153 (6.02) | 84 (3.31) | 88 (3.46) | 11 (0.43) |
| FKL 50 | 2-1/2" CLAMP | 1-3/8" | 73 (2.87) | 60.5 (2.38) | 391 (15.39) | 192 (7.56) | 113 (4.46) | 100 (3.94) | 140 (5.51) | 80.5 (3.17) | 94 (3.70) | 13.5 (0.53) |
| FKL 75 | 2-1/2" CLAMP | 1-5/8" | 108 (4.25) | 78.5 (3.09) | 483 (19.02) | 271 (10.67) | 118.5 (4.66) | 150 (5.91) | 200 (7.87) | 103.5 (4.07) | 136 (5.35) | 17.5 (0.69) |
| FKL 150 | 3" CLAMP | 1-3/4" | 99.5 (3.92) | 87.5 (3.44) | 521 (20.51) | 291 (11.46) | 115.5 (4.55) | 175 (6.89) | 225 (8.86) | 113 (4.44) | 141 (5.55) | 17.5 (0.69) |
| FKL 205 | 4" CLAMP | 2-1/4" | 116 (4.57) | 88 (3.46) | 577 (22.72) | 323 (12.72) | 143 (5.63) | 182 (7.17) | 232 (9.13) | 113 (4.44) | 163 (6.42) | 17.5 (0.69) |
| FKL 250 | 4" CLAMP | 2-1/2" | 122 (4.80) | 99.5 (3.92) | 604 (23.78) | 357.5 (14.07) | 129.5 (5.10) | 215 (8.46) | 262 (10.31) | 123 (4.84) | 195 (7.68) | 17.5 (0.69) |
| FKL 400 | 6" CLAMP | 2-7/8" | 129.5 (5.10) | - | 661.5 (26.04) | - | - | - | - | - | - | - |
| FKL 580 | 6" CLAMP | 98 (3.88) | 141 (5.55) | - | 777 (30.60) | - | - | - | - | - | - | - |
| FKL 600* | 6" 300# FLANGE | 100 (3.94) | 141 (5.55) | - | 801 (31.54) | - | - | - | - | - | - | - |

| MODELO | M | N | P | Q | R | S | T | TAP | U | V | W | X | Y | Z | PESO |
|----------|---------------|----------------|---------------|------------------|------------------|----------------|------------------|---------|---------------|----------------|-----------------|-----------------|-----------------|------------------|----------------------|
| FKL 15 | 88 (3.46) | 105 (4.13) | 33 (1.30) | 173 (6.81) | 227.5 (8.96) | 61.5 (2.42) | 102 (4.02) | M8X1.25 | 50 (1.97) | 4.8 (0.19) | 63 (2.48) | 82 (3.22) | 60 (2.35) | 149.5 (5.89) | 19.5 kg 43 lbs |
| FKL 20 | 88 (3.46) | 105 (4.13) | 33 (1.30) | 173 (6.81) | 227.5 (8.96) | 61.5 (2.42) | 102 (4.02) | M8X1.25 | 50 (1.97) | 4.8 (0.19) | 63 (2.48) | 82 (3.22) | 60 (2.35) | 149.5 (5.89) | 22 kg 48.5 lbs |
| FKL 25 | 122 (4.80) | 158 (6.22) | 40 (1.57) | 198 (7.80) | 273 (10.76) | 93 (3.66) | 146 (5.75) | M10X1.5 | 33 (1.30) | 6.4 (0.25) | 86 (3.39) | 88 (3.47) | 96 (3.78) | 185 (7.29) | TBD |
| FKL 50 | 100 (3.94) | 140 (5.51) | 45 (1.77) | 285 (11.22) | 334.5 (13.17) | 85 (3.35) | 160 (6.3) | M10X1.5 | 55 (2.17) | 7.9 (0.31) | 98 (3.86) | 114.5 (4.50) | 94.5 (3.72) | 240.5 (9.47) | 66 kg 143 lbs |
| FKL 75 | 100 (3.94) | 150 (5.91) | 57 (2.24) | 306 (12.05) | 424 (16.68) | 115 (4.53) | 230 (9.06) | M16X2 | 55 (2.17) | 9.5 (0.38) | 135 (5.31) | 153.5 (6.04) | 103.5 (4.07) | 288 (11.33) | 140 kg 308.5 lbs |
| FKL 150 | 130 (5.12) | 180 (7.09) | 60 (2.36) | 326 (12.83) | 454 (17.88) | 121 (4.76) | 240 (9.45) | M16X2 | 61 (2.40) | 9.5 (0.38) | 150 (5.91) | 158.5 (6.24) | 123.5 (4.86) | 313 (12.33) | 182 kg 401 lbs |
| FKL 205 | 212 (8.35) | 262 (10.31) | 74 (2.92) | 344 (13.54) | 495 (19.48) | 155 (6.10) | 279.5 (11.00) | M16X2 | 75 (2.95) | 12.7 (0.50) | 160 (6.30) | 156.5 (6.17) | 126.5 (4.98) | 332 (13.07) | TBD |
| FKL 250 | 215 (8.46) | 262 (10.31) | 81 (3.20) | 377 (14.84) | 546 (21.49) | 172 (6.77) | 333.5 (13.13) | M16X2 | 65 (2.56) | 15.9 (0.63) | 162.5 (6.40) | 151 (5.95) | 144.5 (5.69) | 351 (13.81) | TBD |
| FKL 400 | - | - | 88 (3.46) | 499.5 (19.66) | - | 193 (7.60) | 348 (13.70) | M20X2.5 | 80 (3.15) | 19 (0.75) | 188 (7.40) | 172.5 (6.79) | 127.5 (5.02) | 438 (17.23) | TBD |
| FKL 580 | - | - | 110 (4.33) | 704 (27.72) | - | 204 (8.03) | 540 (21.26) | M20X2.5 | 135 (5.31) | 28 (1.10) | 223 (8.78) | 209 (8.21) | 173 (6.80) | 575 (22.64) | 686.5 kg 1536 lbs |
| FKL 600* | - | - | 110 (4.33) | 707 (27.83) | - | 204 (8.03) | 540 (21.26) | M20X2.5 | 135 (5.31) | 28 (1.10) | 223 (8.78) | 209 (8.21) | 197 (7.75) | 576.5 (22.70) | 742 kg 1636 lbs |

* Estos modelos no estan disponibles en la caja de engranajes de estilo partido. Visitenos en www.fristam.com/usa para dibujos de estos modelos.

Diagrama dimensional de la bomba FKL
Modelos: 50–400
Montaje: vertical (entrada rectangular)



DIMENSIONES EN MILIMETROS (PULGADAS)

| MODELO | SALIDA | ØA | B | C | D | E | F | G | H | J | JJ | K | ØL | M | N | P | R | S | T | U | V |
|-----------|--------------|--------|------------------|-----------------|-----------------|-------------------|------------------|----------------|-----------------|------------------|------------------|----------------|-----------------|----------------|-----------------|---------------|----------------|-----------------|-------------------|-----------------|-------------------|
| FKL 50 | 2-1/2" CLAMP | 1-3/8" | 73 (2.87") | 60.5 (2.38") | 391 (15.39") | 192 (7.56") | 113 (4.46") | 100 (3.94") | 140 (5.51") | 80.5 (3.17") | 88 (3.46") | 94 (3.70") | 13.5 (0.53") | 100 (3.94") | 140 (5.51") | 45 (1.77") | 106 (4.17") | 249 (9.80") | 298 (11.73") | 305 (12.01") | 273 (10.75") |
| FKL 75 | 2-1/2" CLAMP | 1-5/8" | 108 (4.25") | 78.5 (3.09") | 483 (19.02") | 271 (10.68") | 118.5 (4.66") | 150 (5.91") | 200 (7.87") | 103.5 (4.07") | 105 (4.13") | 136 (5.35") | 17.5 (0.69") | 100 (3.94") | 150 (5.91") | 57 (2.24") | 145 (5.71") | 298 (11.72") | 416 (16.38") | 336 (13.23") | 310 (12.20") |
| FKL 150 | 3" CLAMP | 1-3/4" | 99.5 (3.92") | 87.5 (3.45") | 521 (20.51") | 291 (11.46") | 115.5 (4.54") | 175 (6.89") | 225 (8.86") | 113 (4.44") | 107 (4.22") | 141 (5.55") | 17.5 (0.69") | 130 (5.12") | 180 (7.09") | 60 (2.36") | 157 (6.18") | 320 (12.60") | 448 (17.64") | 387 (15.24") | 355 (13.98") |
| FKL 205 | 4" CLAMP | 2-1/4" | 116 (4.57") | 88 (3.46") | 577 (22.72") | 323 (12.72") | 143 (5.63") | 182 (7.17") | 232 (9.13") | 113 (4.44") | 113 (4.44") | 163 (6.42") | 17.5 (0.69") | 212 (8.35") | 262 (10.31") | 74 (2.92") | 163 (6.42") | 335 (13.19") | 486 (19.13") | 457 (17.99") | 425 (16.73") |
| FKL 250 | 4" CLAMP | 2-1/2" | 122 (4.80") | 99.5 (3.92") | 604 (23.78") | 357.5 (14.07") | 129.5 (5.10") | 215 (8.46") | 262 (10.31") | 123 (4.84") | 122.5 (4.82") | 195 (7.68") | 17.5 (0.69") | 215 (8.46") | 262 (10.31") | 81 (3.20") | 181 (7.13") | 369 (14.54") | 538.5 (21.20") | 457 (17.99") | 425 (16.73") |
| FKL 400** | 6" CLAMP | 2-7/8" | 129.5 (5.10") | - | 637 (25.08") | - | - | - | - | - | - | - | - | - | - | 88 (3.46") | 243 (9.57") | 493 (19.41") | - | 505 (19.88") | 469.5 (18.48") |

| MODELO | W | X | Y | Z | AA | ØAB | AC | AD | AE | AF | AG | AH | AJ | TAP | AK | AL | AM | AN | AP | AR | PESO |
|-----------|-----------------|----------------|------------------|----------------|----------------|-----------------|-----------------|-----------------|-----------------|-----------------|---------------|----------------|-------------------|---------|------------------|------------------|------------------|-------------------|---------------|-----------------|-----------------------|
| FKL 50 | 171 (6.73") | 44 (1.73") | 48 (1.89") | 79 (3.11") | R6 (0.24") | 13.5 (0.53") | 67 (2.64") | 17 (0.67") | 16 (0.63") | 15.5 (0.61") | 13 (0.51") | 85 (3.35") | 160 (6.30") | M10X1.5 | 98 (3.86") | 114.5 (4.50") | 94.5 (3.72") | 204 (8.03") | 55 (2.17") | 7.9 (0.31") | 66 kg 145 lbs |
| FKL 75 | 224 (8.82") | 57 (2.24") | 102 (4.02") | 127 (5.00") | R10 (0.39") | 13.5 (0.53") | 56 (2.20") | 35 (1.38") | 13 (0.51") | 13 (0.51") | 13 (0.51") | 115 (4.53") | 230 (9.06") | M16X2 | 135 (5.31") | 153.5 (6.04") | 103.5 (4.07") | 280 (11.02") | 55 (2.17") | 9.5 (0.38") | 141.5 kg 312.5 lbs |
| FKL 150 | 235 (9.25") | 75 (2.95") | 84 (3.31") | 118 (4.65") | R10 (0.39") | 13.5 (0.53") | 76 (2.99") | 21.5 (0.85") | 16 (0.67") | 17 (0.67") | 13 (0.51") | 121 (4.76") | 240 (9.45") | M16X2 | 150 (5.91") | 158.5 (6.24") | 123.5 (4.86") | 307 (12.09") | 61 (2.40") | 9.5 (0.38") | 183.5 kg 405 lbs |
| FKL 205 | 279 (10.98") | 99 (3.90") | 111 (4.37") | 143 (5.63") | R10 (0.39") | 13.5 (0.53") | 89 (3.50") | 22 (0.87") | 16 (0.63") | 16 (0.63") | 13 (0.51") | 155 (6.10") | 279.5 (11.00") | M16X2 | 160 (6.30") | 156.5 (6.17") | 126.5 (4.98") | 323 (12.72") | 75 (2.95") | 12.7 (0.50") | TBD |
| FKL 250 | 279 (10.98") | 99 (3.90") | 111 (4.37") | 143 (5.63") | R10 (0.39") | 13.5 (0.53") | 89 (3.50") | 22 (0.87") | 16 (0.63") | 16 (0.63") | 13 (0.51") | 172 (6.77") | 333.5 (13.13") | M16X2 | 162.5 (6.40") | 151 (5.95") | 144.5 (5.69") | 343.5 (13.52") | 65 (2.56") | 15.9 (0.63") | TBD |
| FKL 400** | 440 (17.32") | 125 (4.92") | 209.5 (8.25") | 241 (9.49") | R13 (0.51") | 17 (0.66") | 32.5 (1.28") | 58 (2.28") | 17.5 (0.69") | 15.5 (0.61") | 22 (0.87") | 193 (7.60") | 348 (13.70") | M20X2.5 | 188 (7.40") | 172.5 (6.79") | 127.5 (5.02") | 431 (16.97") | 80 (3.15") | 19 (0.75") | TBD |

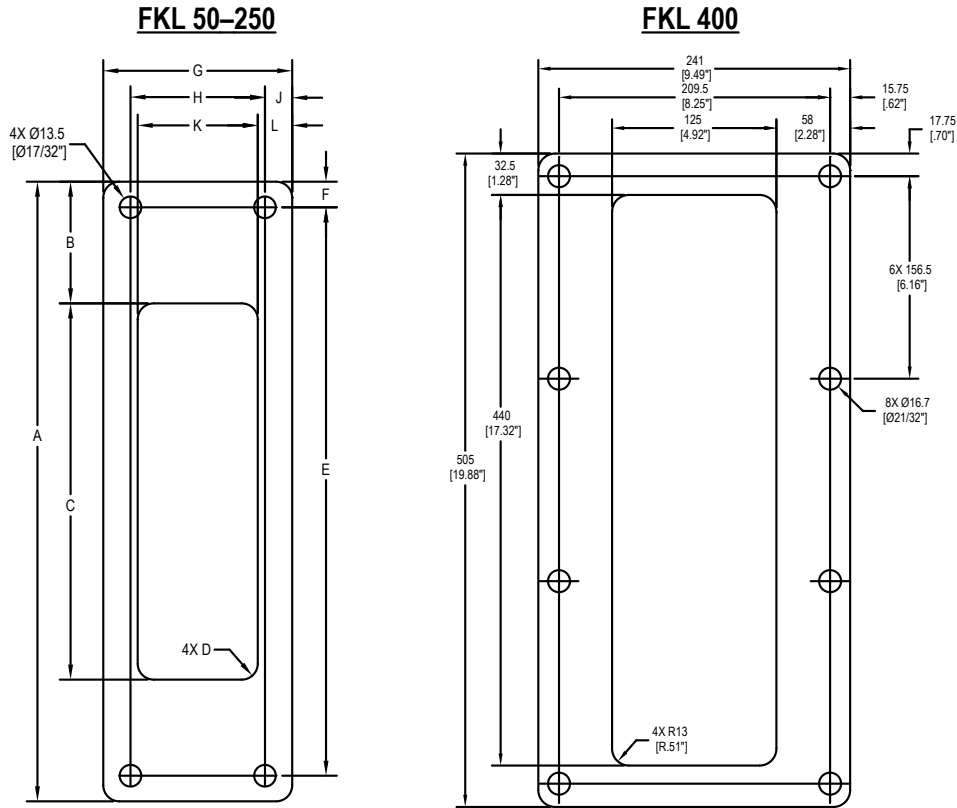
** TIENE 8 ORIFICIOS DE BRIDA

1265000659 Rev -

* Estos modelos no estan disponibles en la caja de engranajes de estilo partido. Visitenos en www.fristam.com/usa para dibujos de estos modelos.

La entrada rectangular no esta disponible en los modelos 15, 20, 25, 580, y 600.

Diagrama dimensional de la bomba FKL Modelos: 50–400 Entrada rectangular



1265000524
Rev C

DIMENSIONES EN MILIMETROS (PULGADAS)

| MODELO | A | B | C | D | E | F | G | H | J | K | L |
|---------------|-----------------|---------------|-----------------|-----------------|-----------------|---------------|----------------|----------------|-----------------|---------------|-----------------|
| FKL 50 | 305 (12.01") | 67 (2.64") | 171 (6.73") | R6 (0.24"R) | 273 (10.75") | 16 (0.63") | 79 (3.11") | 48 (1.89") | 15.5 (0.61") | 44 (1.73") | 17 (0.67") |
| FKL 75 | 336 (13.23") | 56 (2.20") | 224 (8.82") | R10 (0.39"R) | 310 (12.20") | 13 (0.51") | 127 (5.00") | 102 (4.02") | 13 (0.51") | 57 (2.24") | 35 (1.38") |
| FKL 150 | 387 (15.24") | 76 (2.99") | 235 (9.25") | R10 (0.39"R) | 355 (13.98") | 16 (0.63") | 143 (5.63") | 84 (3.31") | 17 (0.67") | 75 (2.95") | 21.5 (0.85") |
| FKL 205 & 250 | 457 (17.99") | 89 (3.50") | 279 (10.98") | R10 (0.39"R) | 425 (16.73") | 16 (0.63") | 143 (5.63") | 111 (4.37") | 16 (0.63") | 99 (3.90") | 22 (0.87") |

1265000660
Rev -

* Estos modelos no estan disponibles en la caja de engranajes de estilo partido. Visitenos en www.fristam.com/usa para dibujos de estos modelos.

La entrada rectangular no esta disponible en los modelos 15, 20, 25, 580, y 600.