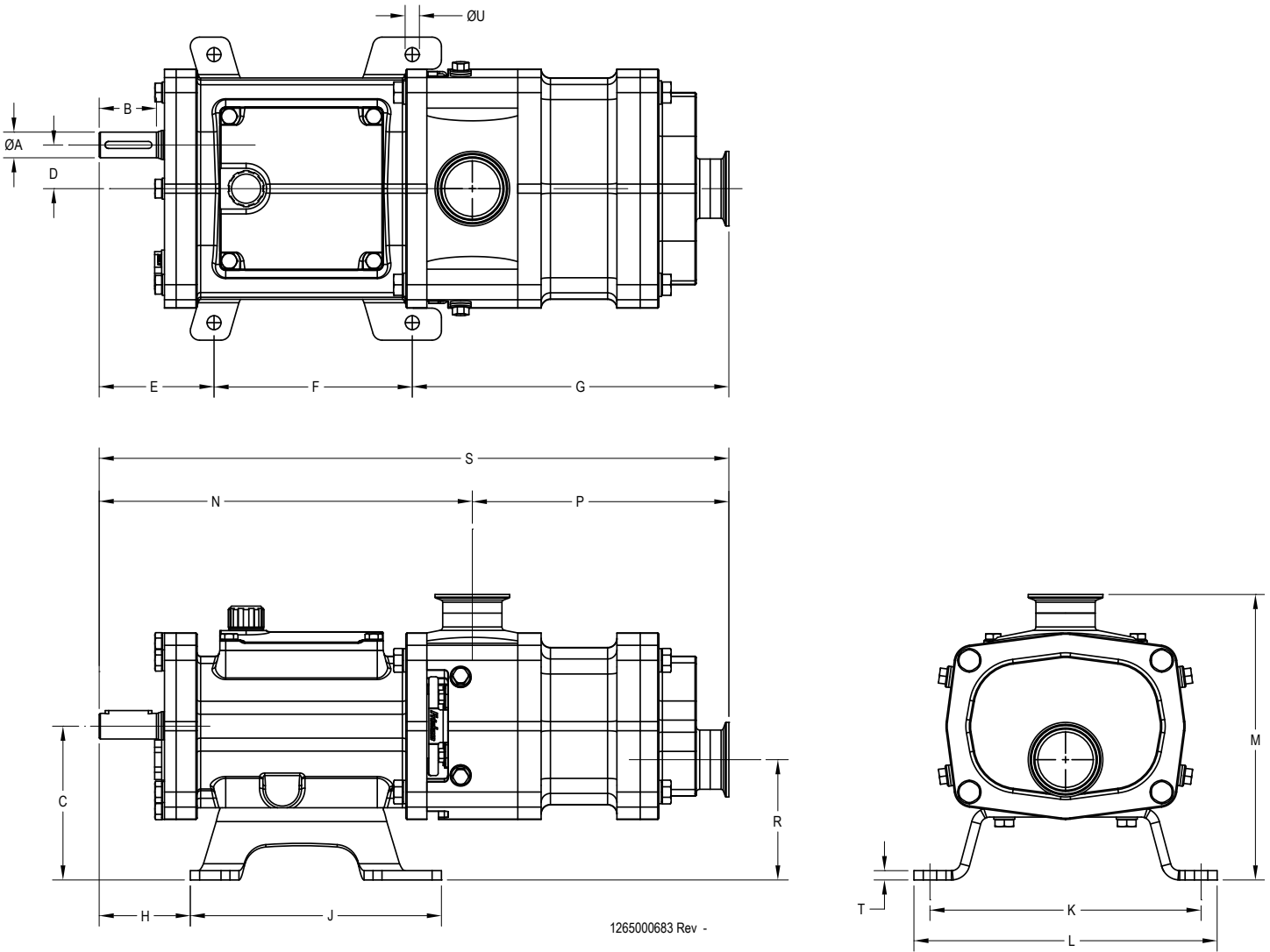


Fristam FDS Series Pump Dimensional Drawing



DIMENSIONS IN MILLIMETERS (INCHES)										
PUMP MODEL	INLET/OUTLET	ØA	B	C	D	E	F	G	H	J
FDS 1	2" X 2" CLAMP	16	45 (1.72")	100 (3.94")	29 (1.14")	92 (3.62")	140 (5.51")	203 (7.99")	80 (3.15")	182 (7.17")
FDS 2	3" X 2.5" CLAMP	22	50 (1.97")	132 (5.20")	37.5 (1.48")	98.5 (3.88")	170 (6.69")	276.5 (10.89")	78 (3.07")	215 (8.47")
FDS 3	4" X 3" CLAMP	32	60 (2.36")	160 (6.30")	47 (1.85")	114 (4.49")	220 (8.66")	336 (13.29")	89 (3.50")	275 (10.83")
FDS 4	6" X 4" CLAMP	48	100 (3.94")	200 (7.87")	62 (2.44")	170 (6.69")	280 (11.02")	460 (18.11")	135 (5.32")	390 (15.35")
PUMP MODEL	INLET/OUTLET	K	L	M	N	P	R	S	T	ØU
FDS 1	2" X 2" CLAMP	190 (7.48")	210 (8.27")	190 (7.48")	265 (10.43")	170 (6.69")	85.75 (3.38")	435 (17.13")	6 (0.24")	12 (0.47")
FDS 2	3" X 2.5" CLAMP	230 (9.06")	260 (10.24")	245 (9.65")	320 (12.60")	225 (8.86")	116 (4.57")	545 (21.46")	8 (0.32")	12 (0.47")
FDS 3	4" X 3" CLAMP	280 (11.02")	320 (12.60")	290 (11.42")	390 (15.35")	280 (11.02")	142 (5.62")	670 (26.38")	10 (0.39")	13.5 (0.53")
FDS 4	6" X 4" CLAMP	370 (14.57")	420 (16.54")	390 (15.35")	540 (21.26")	370 (14.57")	186 (7.32")	910 (25.83")	12 (0.47")	17.5 (0.69")