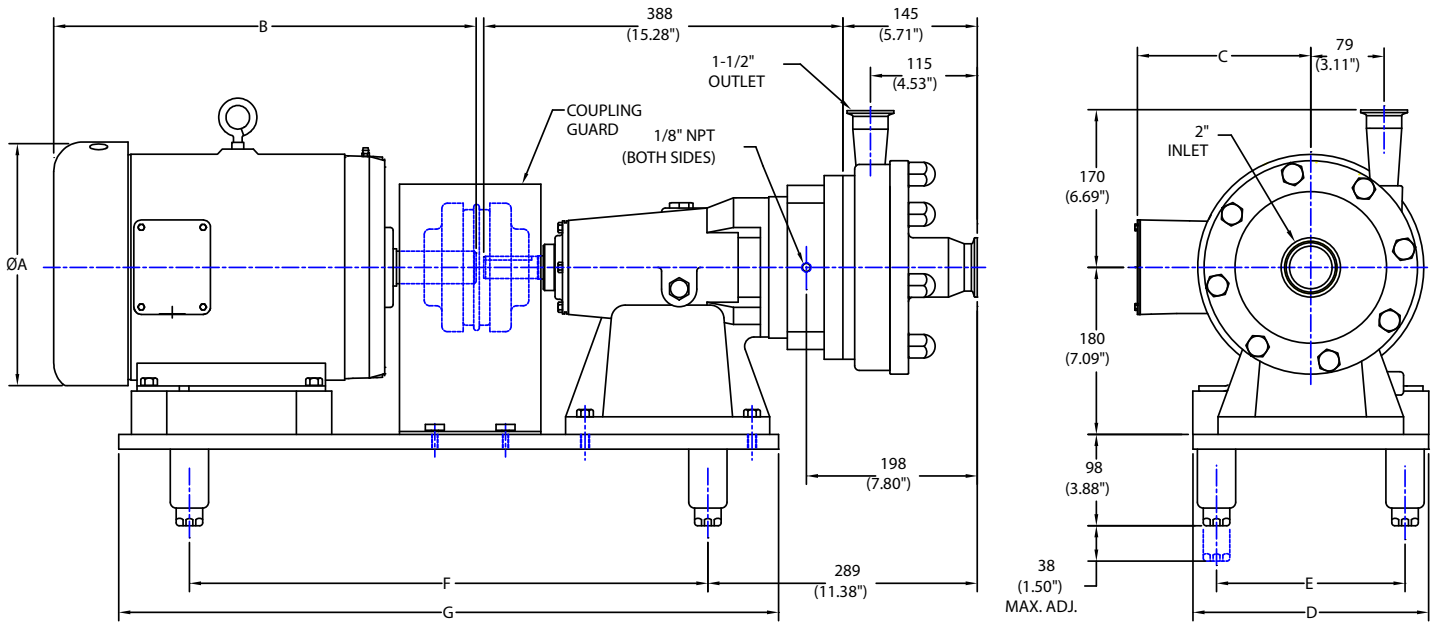


FPHP Dimensional Drawing Model: 722



MOTOR HP	NEMA FRAME	ØA	B	C	D	E	F	G
3 HP	182T	216 (8.50")	385 (15.14")	132 (5.21")	279.4 (11.00")	228.6 (9.00")	444.5 (17.50")	596.9 (23.50")
			420 (16.55")	152 (5.97")	279.4 (11.00")	228.6 (9.00")	469.9 (18.50")	622.3 (24.50")
5 HP	184T	263 (10.34")	469 (18.47")	220 (8.67")	279.4 (11.00")	228.6 (9.00")	520.7 (20.50")	673.1 (26.50")
			469 (18.47")	220 (8.67")	279.4 (11.00")	228.6 (9.00")	558.8 (22.00")	711.2 (28.00")

1265000457 REV A

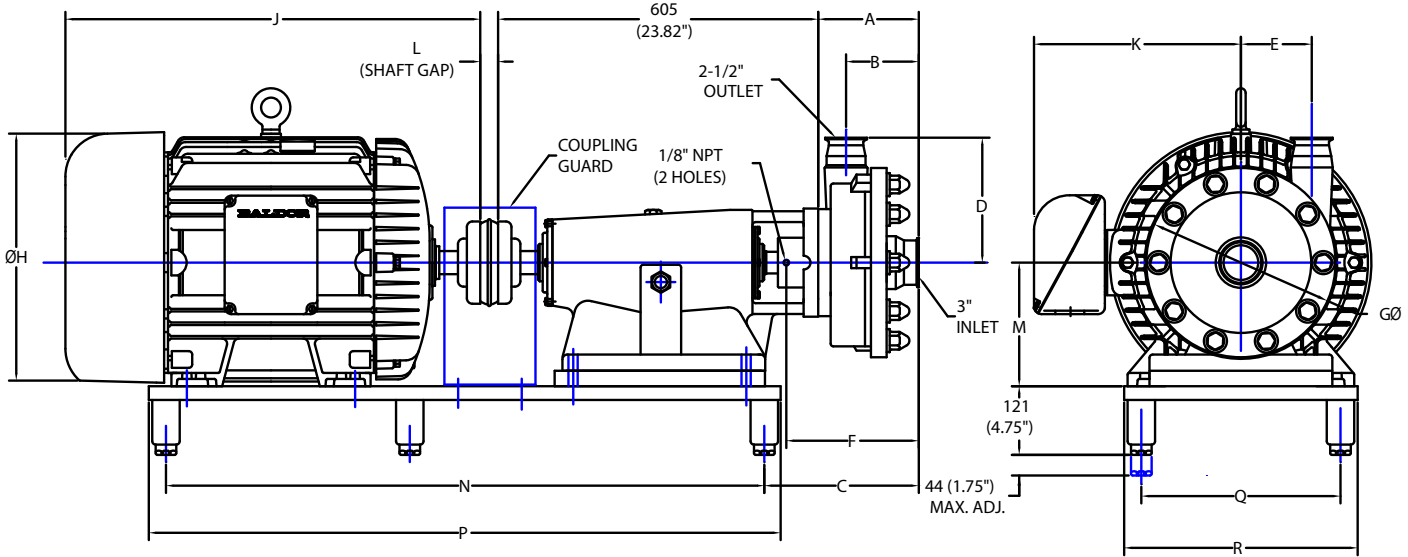
NOTE:

ALL DIMENSIONS ARE IN MILLIMETERS (INCHES) UNLESS OTHERWISE SPECIFIED.

MOTOR DIMENSIONS MAY VARY DEPENDING ON MANUFACTURER REQUESTED.

PUMP DIMENSIONS ARE BASED ON CLAMP FITTINGS.

FPH/FPHP Dimensional Drawing Models: 3542 and 3552



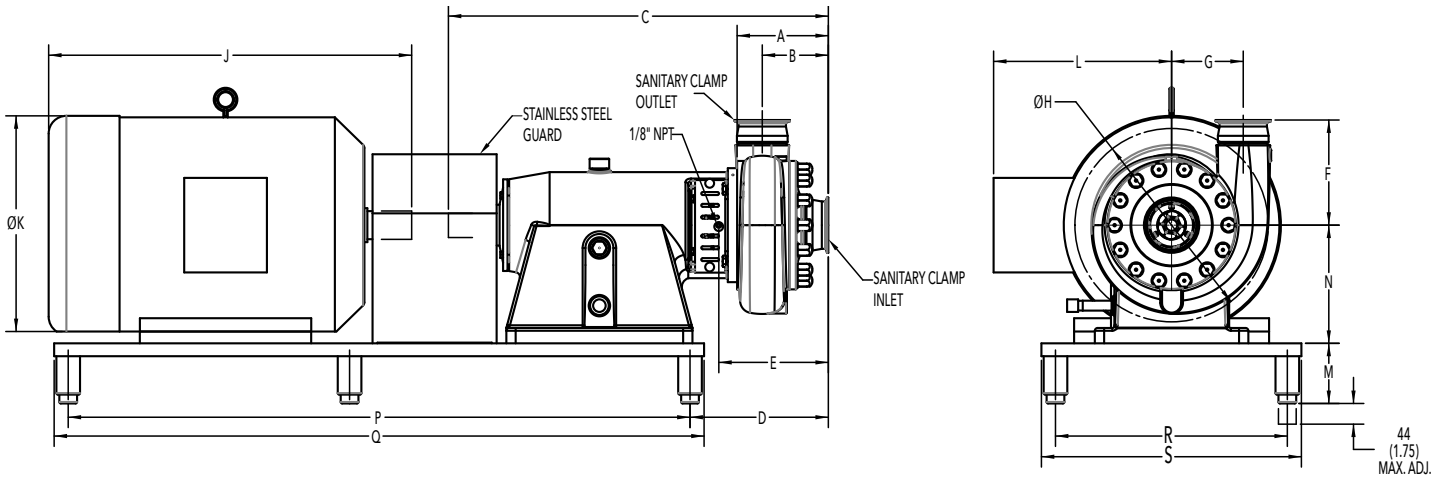
1265000458 REV.

Pump Model	A	B	C	D	E	F	G
FPH & FPHP 3542	165 (6.50")	119 (4.68")	263 (10.35")	211 (8.31")	115 (4.53")	224 (8.82")	290 (11.42")
FPH 3552	171 (6.73")	120 (4.72")	266 (10.59")	231 (9.09")	140 (5.51")	230 (9.06")	350 (13.78")

Motor HP	NEMA Frame	H	J	K	L	M	N	P	Q	R
10 HP	215T	263 (10.34")	469 (18.47")	220 (8.67")	16 (.63")	133 (5.25")	1083 (42.62")	1143 (45.00")	321 (12.62")	381 (15.00")
15 HP	254T	270 (10.62")	536 (21.09")	225 (8.86")	6 (.25")	200 (7.87")	1083 (42.62")	1143 (45.00")	321 (12.62")	381 (15.00")
20HP	256T	270 (10.62")	580 (22.84")	225 (8.86")	6 (.25")	200 (7.87")	1083 (42.62")	11 (.43")	321 (12.62")	381 (15.00")
25HP	284TS	395 (15.56")	670 (26.39")	333 (13.11")	19 (.75")	200 (7.87")	1083 (42.62")	1143 (45.00")	321 (12.62")	381 (15.00")
30HP	286TS	395 (15.56")	670 (26.39")	333 (13.11")	19 (.75")	200 (7.87")	1083 (42.62")	1143 (45.00")	321 (12.62")	381 (15.00")
40HP	324TS	430 (16.94")	731 (28.78")	371 (14.62")	6 (.25")	203 (8.00")	1083 (42.62")	1143 (45.00")	321 (12.62")	381 (15.00")
50HP	326TS	430 (16.94")	731 (28.78")	371 (14.62")	6 (.25")	203 (8.00")	1083 (42.62")	1143 (45.00")	321 (12.62")	381 (15.00")
60HP	364TS	483 (19.00")	780 (30.72")	380 (14.96")	6 (.25")	229 (9.00")	1108 (43.62")	1168 (46.00")	371 (14.62")	432 (17.00")
75HP	365TS	483 (19.00")	780 (30.72")	380 (14.96")	6 (.25")	229 (9.00")	1108 (43.62")	1168 (46.00")	371 (14.62")	432 (17.00")

NOTE: All dimensions are in millimeters unless otherwise specified. Motor dimensions may vary depending on manufacturer and model requested. Pump dimensions are based on sanitary clamp fittings.

FPH/FPHP Dimensional Drawing Models: 3642 and 3652

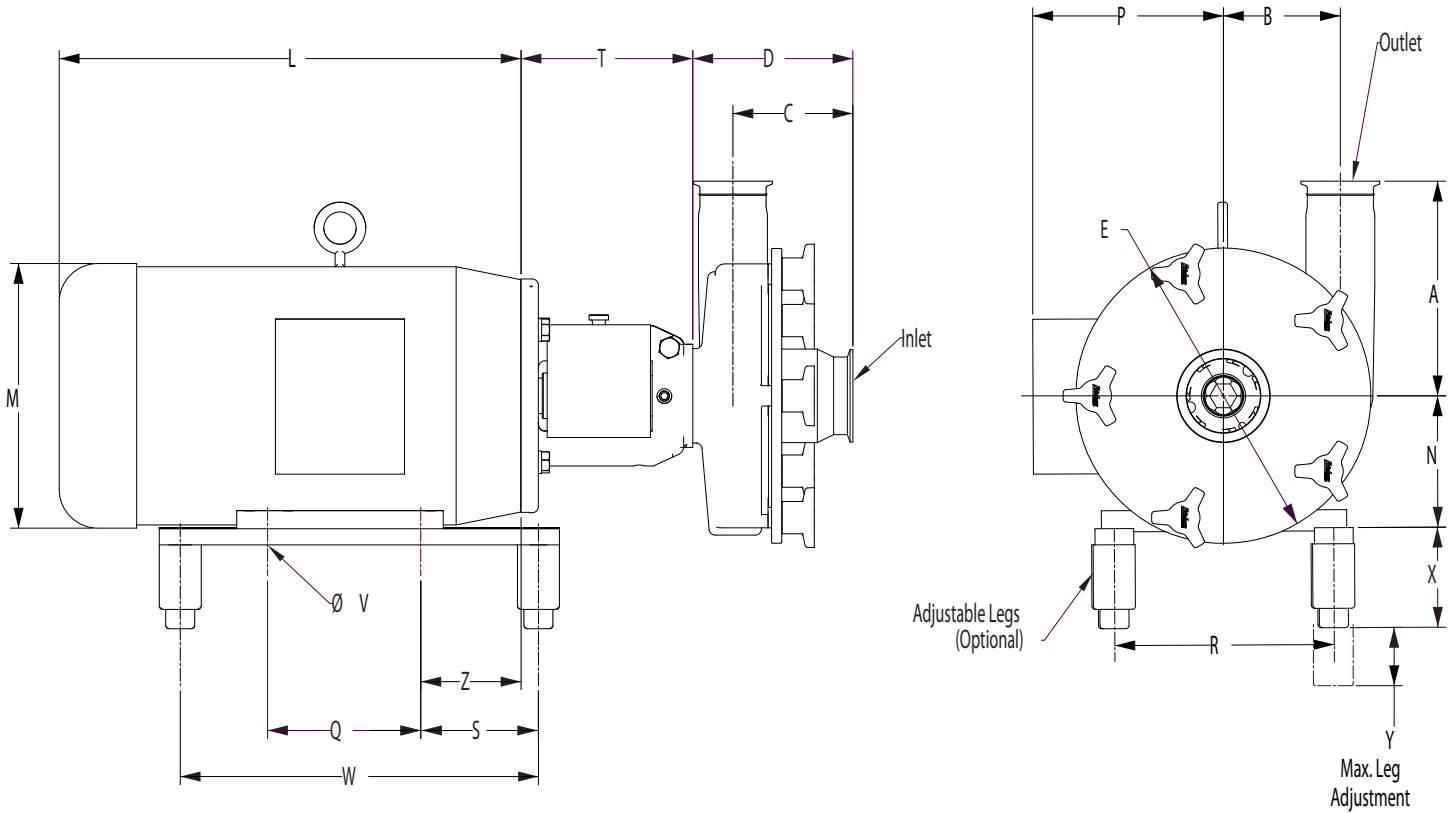


PUMP MODEL	INLET	OUTLET	A	B	C	D	E	F	G	H
FPH 3642	4"	4"	196 7.72"	142 5.59"	824 32.44"	297 11.69"	235 9.25"	226 8.9"	154 6.06"	412 16.22"
FPH 3652	4"	2.5"	179 7.05"	110 4.33"	807 31.77"	250 9.84"	219 8.62"	231 9.09"	140 5.51"	350 13.78"

MOTOR HP 3500 RPM	MOTOR FRAME	J	K	L	M	N	P	Q	R	S
40 HP	324TS	731 28.78"	430 16.93"	371 14.61"	121 4.76"	254 10"	1108 43.62"	1169 46"	321 12.64"	381 15"
50 HP	326TS	731 28.78"	430 16.93"	371 14.61"	121 4.76"	254 10"	1108 43.62"	1169 46"	321 12.64"	381 15"
60 HP	364TS	780 30.71"	483 19.02"	380 14.96"	127 5"	254 10"	1336 52.6"	1397 55"	499 19.65"	559 22"
75 HP	365TS	780 30.71"	483 19.02"	380 14.96"	127 5"	254 10"	1336 52.6"	1397 55"	499 19.65"	559 22"
100 HP	405TS	966 38.03"	516 20.31"	457 17.99"	127 5"	254 10"	1336 52.6"	1397 55"	499 19.65"	559 22"
125 HP	444TS	1124 44.25"	581 22.87"	497 19.57"	127 5"	280 11.02"	1336 52.6"	1397 55"	499 19.65"	559 22"
150 HP	445TS	1124 44.25"	581 22.87"	497 19.57"	127 5"	280 11.02"	1336 52.6"	1397 55"	499 19.65"	559 22"

NOTE: All dimensions are in millimeters unless otherwise specified. Motor dimensions may vary depending on manufacturer and model requested. Pump dimensions are based on sanitary clamp fittings.

FPH/FPHP Dimensional Drawing Models: 1742 and 3542

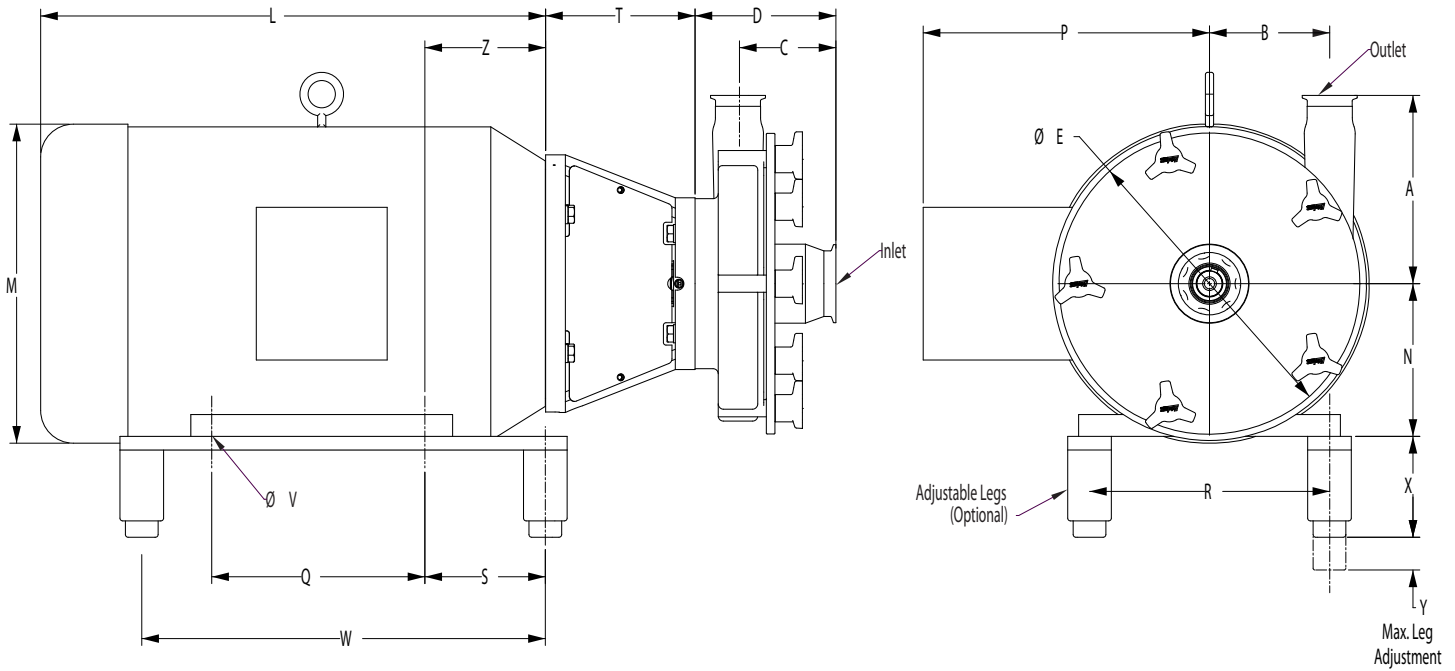


PUMP MODEL	INLET	OUTLET	A	B	C	D	E
FPHM 1742	2.5"	2"	200	91	104	146	270
			7.87"	3.58"	4.09"	5.73"	10.63"
FPHM 3542	3"	2.5"	211	115	118	158	290
			8.31"	4.53"	4.65"	6.2"	11.42"

1265000202 Rev A

MOTOR HP		MOTOR FRAME	L	M	N	P	Q	R	S	T	V	W	X	Y	Z
1750 RPM	3500 RPM														
15 HP		254TC	499	327	159	244	210	254	102	169	13.5	406	98	38	108.0
			19.65"	12.87"	6.25"	9.63"	8.25"	10"	4"	6.65"	0.53"	16"	3.86"	1.5"	4.25"
20 HP	20 HP	256TC	499	327	159	244	254	254	102	169	13.5	406	98	38	108.0
			19.65"	12.87"	6.25"	9.63"	10"	10"	4"	6.65"	0.53"	16"	3.86"	1.5"	4.25"
25 HP	25 HP	284TSC	588	371	178	333	241	279	121	179	13.5	445	118	45	120.7
			23.15"	14.63"	7"	13.13"	9.5"	11"	4.75"	7.05"	0.53"	17.5"	4.63"	1.75"	4.75"
30 HP	30 HP	286TSC	588	371	178	333	279	279	121	179	13.5	445	118	45	120.7
			23.15"	14.63"	7"	13.13"	11"	11"	4.75"	7.05"	0.53"	17.5"	4.63"	1.75"	4.75"
40 HP	40 HP	324TSC	636	419	203	359	267	318	121	179	16.7	470	118	45	133.4
			25.04"	16.5"	8"	14.13"	10.5"	12.5"	4.75"	7.05"	0.66"	18.5"	4.63"	1.75"	5.25"
50 HP	50 HP	326TSC	636	419	203	359	305	318	121	179	16.7	470	118	45	133.4
			25.04"	16.5"	8"	14.13"	12"	12.5"	4.75"	7.05"	0.66"	18.5"	4.63"	1.75"	5.25"
50 HP		326TC	636	419	203	359	305	318	121	179	16.7	470	118	45	133.4
			25.04"	16.5"	8"	14.13"	12"	12.5"	4.75"	7.05"	0.66"	18.5"	4.63"	1.75"	5.25"

FPHM Dimensional Drawing Models: 752 and 3552



PUMP MODEL	INLET	OUTLET	A	B	C	D	E
FPHM 752	3"	2"	205 8.07"	145 5.71"	99 4.49"	142 6.32"	379 13.78"
FPHM 3552	3"	2.5"	230 9.06"	140 5.51"	119 4.69"	170 6.69"	350 13.78"

1265000203 Rev C

MOTOR HP		MOTOR FRAME	L	M	N	P	Q	R	S	T	V	W	X	Y	Z
1750 RPM	3500 RPM														
15 HP		254TC	447 17.6"	327 12.87"	159 6.25"	244 9.63"	210 8.25"	254 10"	102 4"	160 6.3"	13.5 0.53"	406 16"	98 3.86"	38 1.5"	108 4.25"
		256TC	491 19.33"	327 12.87"	159 6.25"	244 9.63"	254 10"	254 10"	102 4"	160 6.3"	13.5 0.53"	406 16"	98 3.86"	38 1.5"	108 4.25"
20 HP		256TC	499 19.65"	327 12.87"	159 6.25"	244 9.63"	254 10"	254 10"	102 4"	160 6.3"	13.5 0.53"	406 16"	98 3.86"	38 1.5"	108 4.25"
		284TC	588 23.15"	371 14.63"	178 7"	333 13.13"	241 9.5"	279 11"	121 4.75"	174 6.85"	13.5 0.53"	445 17.5"	118 4.63"	45 1.75"	121 4.75"
25 HP		284TSC	588 23.15"	371 14.63"	178 7"	333 13.13"	241 9.5"	279 11"	121 4.75"	174 6.85"	13.5 0.53"	445 17.5"	118 4.63"	45 1.75"	121 4.75"
		286TC	588 23.15"	371 14.63"	178 7"	333 13.13"	279 11"	279 11"	121 4.75"	174 6.85"	13.5 0.53"	445 17.5"	118 4.63"	45 1.75"	121 4.75"
30 HP		286TSC	588 23.15"	371 14.63"	178 7"	333 13.13"	279 11"	279 11"	121 4.75"	174 6.85"	13.5 0.53"	445 17.5"	118 4.63"	45 1.75"	121 4.75"
		324TC	636 25.04"	419 16.5"	203 8"	359 14.13"	267 10.5"	318 12.5"	121 4.75"	209 8.23"	16.7 0.66"	470 18.5"	118 4.63"	45 1.75"	133 5.25"
40 HP		324TSC	636 25.04"	419 16.5"	203 8"	359 14.13"	267 10.5"	318 12.5"	121 4.75"	209 8.23"	16.7 0.66"	470 18.5"	118 4.63"	45 1.75"	133 5.25"
		326TC	636 25.04"	419 16.5"	203 8"	359 14.13"	305 12"	318 12.5"	121 4.75"	209 8.23"	16.7 0.66"	470 18.5"	118 4.63"	45 1.75"	133 5.25"
50 HP		326TSC	636 25.04"	419 16.5"	203 8"	359 14.13"	305 12"	318 12.5"	121 4.75"	209 8.23"	16.7 0.66"	470 18.5"	118 4.63"	45 1.75"	133 5.25"
		364TC	685 26.97"	470 18.5"	229 9"	383 15.06"	286 11.25"	356 14"	89 3.5"	209 8.23"	16.7 0.66"	508 20"	127 5"	45 1.75"	149 5.87"
60 HP		364TSC	685 26.97"	470 18.5"	229 9"	383 15.06"	286 11.25"	356 14"	89 3.5"	209 8.23"	16.7 0.66"	508 20"	127 5"	45 1.75"	149 5.87"
		365TC	685 26.97"	470 18.5"	229 9"	383 15.06"	311 12.25"	356 14"	89 3.5"	209 8.23"	16.7 0.66"	508 20"	127 5"	45 1.75"	149 5.87"
75 HP		365TSC	685 26.97"	470 18.5"	229 9"	383 15.06"	311 12.25"	356 14"	89 3.5"	209 8.23"	16.7 0.66"	508 20"	127 5"	45 1.75"	149 5.87"
			685 26.97"	470 18.5"	229 9"	383 15.06"	311 12.25"	356 14"	89 3.5"	209 8.23"	16.7 0.66"	508 20"	127 5"	45 1.75"	149 5.87"