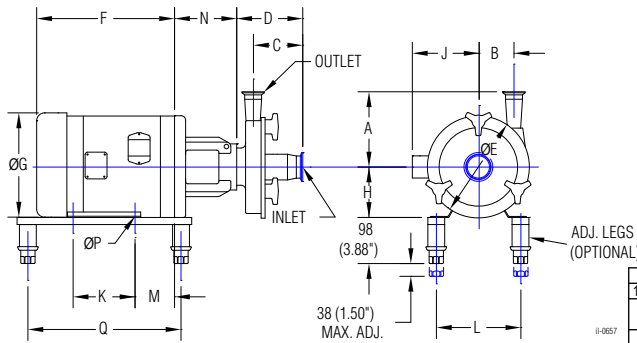


Dimensional Drawing: FPX Single Flange

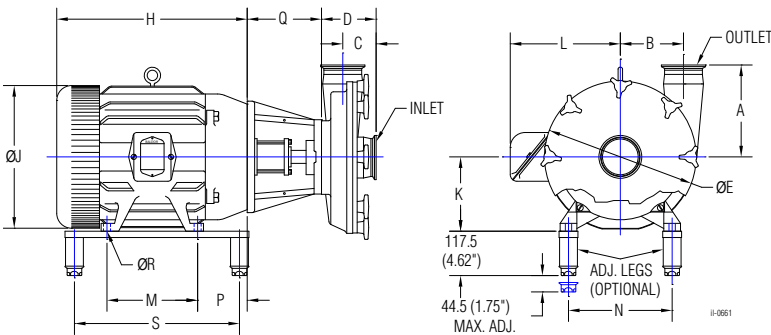


PUMP MODEL	INLET	OUTLET	DIMENSIONS IN MILLIMETERS (INCHES)				
			A	B	C	D	ØE
FPX 701 / 702	1.5"	1.5"	108 (4.25)	44.5 (1.75)	108.5 (4.27)	146.5 (5.77)	150 (5.90)
FPX 711 / 712	2"	1.5"	144 (5.67)	58 (2.28)	113 (4.45)	150 (5.90)	185 (7.28)
FPX 721 / 731 / 722	2"	1.5"	170 (6.69)	79 (3.11)	113 (4.45)	150 (5.90)	230 (9.06)
FPX 741 / 732 / 742	2.5"	2"	195 (7.68)	96 (3.78)	101 (3.98)	141 (5.55)	270 (10.63)
FPX 1741 / 1732 / 1742	2.5"	2"	200 (7.87)	91 (3.58)	104 (4.09)	150.5 (5.93)	270 (10.63)
FPX 3521 / 3522	2.5"	2"	190 (7.48)	80 (3.15)	118 (4.64)	162 (6.38)	230 (9.06)
FPX 3531 / 3532	2.5"	2"	191 (7.52)	95 (3.74)	115.5 (4.55)	162 (6.38)	260 (10.24)
FPX 3541 / 3542	3"	2.5"	211 (8.31)	115 (4.53)	118 (4.64)	162 (6.38)	290 (11.42)
FPX 3451 / 3452	3"	2"	211 (8.31)	140 (5.51)	114 (4.49)	158 (6.22)	350 (13.78)
FPX 3551	3"	2.5"	231 (9.09)	140 (5.51)	119 (4.68)	168 (6.61)	350 (13.78)

MOTOR HP	MOTOR	MOTOR FRAME	DIMENSIONS IN MILLIMETERS (INCHES)														
			F	ØG	H	J	K	L	M	N	ØP	Q					
1750 RPM	3500 RPM																
1 HP	1.5 HP	143TC	281 (11.06)	183 (7.19)	89 (3.50)	133 (5.22)	102 (4.00)	140 (5.50)	70 (2.75)	120 (4.72)	120 (4.72)	8.7 (11/32)	356 (14.00)				
1.5 HP		145TC	281 (11.06)	183 (7.19)	89 (3.50)	133 (5.22)	102 (4.00)	140 (5.50)	70 (2.75)	120 (4.72)	8.7 (11/32)	356 (14.00)					
2 HP	2 HP	145TC	281 (11.06)	183 (7.19)	89 (3.50)	133 (5.22)	102 (4.00)	140 (5.50)	70 (2.75)	120 (4.72)	8.7 (11/32)	356 (14.00)					
	3 HP	182TC	313 (12.31)	183 (7.19)	114 (4.50)	132 (5.21)	140 (5.50)	191 (7.50)	89 (3.50)	140 (5.53)	10.3 (13/32)	356 (14.00)					
3 HP		182TC	348 (13.69)	183 (7.19)	114 (4.50)	132 (5.21)	140 (5.50)	191 (7.50)	89 (3.50)	140 (5.53)	10.3 (13/32)	356 (14.00)					
	5 HP	184TC	347 (13.68)	216 (8.50)	114 (4.50)	152 (5.97)	140 (5.50)	191 (7.50)	89 (3.50)	140 (5.53)	10.3 (13/32)	356 (14.00)					
5 HP		184TC	386 (15.18)	216 (8.50)	114 (4.50)	152 (5.97)	140 (5.50)	191 (7.50)	89 (3.50)	140 (5.53)	10.3 (13/32)	356 (14.00)					
	7.5 HP	184TC	386 (15.18)	216 (8.50)	114 (4.50)	152 (5.97)	140 (5.50)	191 (7.50)	89 (3.50)	140 (5.53)	10.3 (13/32)	356 (14.00)					
7.5 HP		213TC	388 (15.27)	263 (10.34)	133 (5.25)	189 (7.46)	140 (5.50)	216 (8.50)	108 (4.25)	140 (5.53)	10.3 (13/32)	356 (14.00)					
10 HP	10 HP	215TC	388 (15.27)	263 (10.34)	133 (5.25)	189 (7.46)	140 (5.50)	216 (8.50)	108 (4.25)	140 (5.53)	10.3 (13/32)	356 (14.00)					
	15 HP	215TC	436 (17.15)	263 (10.34)	133 (5.25)	189 (7.46)	140 (5.50)	216 (8.50)	108 (4.25)	140 (5.53)	10.3 (13/32)	356 (14.00)					
15 HP		254TC	447 (17.59)	263 (10.34)	159 (6.25)	225 (8.88)	210 (8.25)	254 (10.00)	121 (4.75)	169 (6.65)	13.5 (17/32)	406 (16.00)					
	20 HP	256TC	491 (19.34)	263 (10.34)	159 (6.25)	225 (8.88)	254 (10.00)	254 (10.00)	121 (4.75)	169 (6.65)	13.5 (17/32)	406 (16.00)					
20 HP		256TC	499 (19.66)	336 (13.25)	159 (6.25)	239 (9.42)	254 (10.00)	254 (10.00)	121 (4.75)	169 (6.65)	13.5 (17/32)	406 (16.00)					

1265000540

Dimensional Drawing: FPX Double Flange



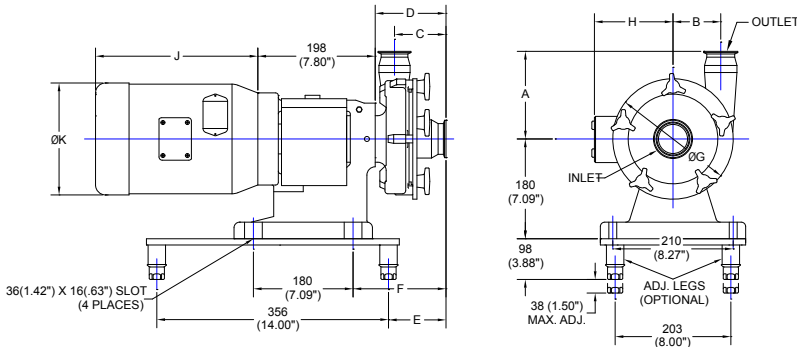
PUMP MODEL	INLET	OUTLET	DIMENSIONS IN MILLIMETERS (INCHES)				
			A	B	C	D	ØE
FPX 1051	4"	4"	250 (9.84)	170 (6.69)	167 (6.57)	202.5 (7.97)	406 (15.98)
FPX 1151	4"	4"	250 (9.84)	170 (6.69)	110.5 (4.35)	146 (5.75)	406 (15.98)
FPX 1161	4"	4"	250 (9.84)	170 (6.69)	110.5 (4.35)	146 (5.75)	406 (15.98)
FPX 1161	6"	4"	250 (9.84)	170 (6.69)	111 (4.37)	146 (5.75)	406 (15.98)
FPX 1742	2.5"	2"	200 (7.87)	91 (3.58)	104 (4.09)	153 (6.02)	270 (10.63)
FPX 3532	2.5"	2"	191 (7.52)	95 (3.74)	115.5 (4.55)	164.5 (6.48)	260 (10.24)
FPX 3542	3"	2.5"	211 (8.31)	115 (4.53)	118 (4.64)	160.5 (6.32)	290 (11.42)
FPX 3452	3"	2"	211 (8.31)	140 (5.51)	114 (4.49)	158 (6.22)	350 (13.78)
FPX 3552	3"	2.5"	231 (9.09)	140 (5.51)	119 (4.68)	168 (6.61)	350 (13.78)

MOTOR HP	MOTOR	MOTOR FRAME	DIMENSIONS IN MILLIMETERS (INCHES)									
			H	ØR	K	L	M	N	P	Q	ØR	S
7.5 HP		213TC	388 (15.27)	263 (10.34)	133 (5.25)	189 (7.46)	140 (5.50)	216 (8.50)	108 (4.25)	200 (7.87)	10.3 (13/32)	470 (18.50)
10 HP		215TC	416 (16.40)	263 (10.34)	133 (5.25)	189 (7.46)	178 (7.00)	216 (8.50)	108 (4.25)	200 (7.87)	10.3 (13/32)	470 (18.50)
15 HP		254TC	447 (17.59)	263 (10.34)	159 (6.25)	226 (8.88)	210 (8.25)	254 (10.00)	121 (4.75)	169 (6.65)	13.5 (17/32)	470 (18.50)
20 HP		256TC	499 (19.66)	320 (12.60)	159 (6.25)	239 (9.42)	254 (10.00)	254 (10.00)	121 (4.75)	169 (6.65)	13.5 (17/32)	470 (18.50)
25 HP		284TC	588 (23.13)	367 (14.44)	178 (7.00)	333 (13.11)	241 (9.50)	279 (11.00)	121 (4.75)	200 (7.87)	13.5 (17/32)	470 (18.50)
	25 HP	284TSC	588 (23.13)	367 (14.44)	178 (7.00)	333 (13.11)	241 (9.50)	279 (11.00)	121 (4.75)	200 (7.87)	13.5 (17/32)	470 (18.50)
30 HP		286TC	588 (23.13)	367 (14.44)	178 (7.00)	333 (13.11)	279 (11.00)	279 (11.00)	121 (4.75)	200 (7.87)	13.5 (17/32)	470 (18.50)
	30 HP	286TSC	588 (23.13)	367 (14.44)	178 (7.00)	333 (13.11)	279 (11.00)	279 (11.00)	121 (4.75)	200 (7.87)	13.5 (17/32)	470 (18.50)
40 HP		324TC	636 (25.00)	413 (16.25)	203 (8.00)	371 (14.62)	267 (10.50)	318 (12.50)	133 (5.25)	216 (8.50)	16.7 (21/32)	470 (18.50)
	40 HP	324TSC	636 (25.00)	413 (16.25)	203 (8.00)	371 (14.62)	267 (10.50)	318 (12.50)	133 (5.25)	216 (8.50)	16.7 (21/32)	470 (18.50)
50 HP		326TC	636 (25.00)	413 (16.25)	203 (8.00)	371 (14.62)	305 (12.00)	318 (12.50)	133 (5.25)	216 (8.50)	16.7 (21/32)	470 (18.50)
	50 HP	326TSC	636 (25.00)	413 (16.25)	203 (8.00)	371 (14.62)	305 (12.00)	318 (12.50)	133 (5.25)	216 (8.50)	16.7 (21/32)	470 (18.50)

ii-0661

All pump dimensions are in millimeters (inches). Dimensions are based on clamp fittings. Motor dimensions may vary by manufacturer.

Dimensional Drawing: FP Single Flange

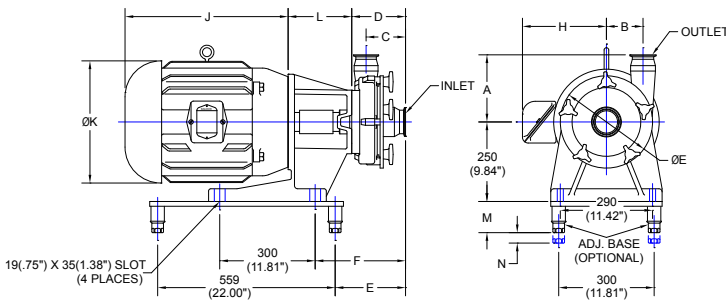


PUMP MODEL	INLET	OUTLET	DIMENSIONS IN MILLIMETERS (INCHES)						
			A	B	C	D	E	F	ØG
FP 701 / 702	1.5"	1.5"	108 (4.25")	44.5 (1.75")	108.5 (4.27")	146.5 (5.77")	154.5 (6.08")	186.5 (7.34")	150 (5.90")
FP 711 / 712	2"	1.5"	144 (5.67")	58 (2.28")	113 (4.45")	150 (5.90")	158 (6.22")	190 (7.48")	185 (7.28")
FP 721 / 731 / 722	2"	1.5"	170 (6.69")	79 (3.11")	113 (4.45")	150 (5.90")	158 (6.22")	190 (7.48")	230 (9.06")
FP 741 / 732 / 742	2.5"	2"	195 (7.68")	96 (3.78")	101 (3.98")	141 (5.55")	149 (5.87")	181 (7.13")	270 (10.63")
FP 1741 / 1732 / 1742	2.5"	2"	200 (7.87")	91 (3.58")	104 (4.09")	150.5 (5.93")	158.5 (6.24")	190.5 (7.50")	270 (10.63")
FP 3521 / 3522	2.5"	2"	190 (7.48")	80 (3.15")	118 (4.64")	162 (6.38")	170 (6.69")	202 (7.95")	230 (9.06")
FP 3531 / 3532	2.5"	2"	191 (7.52")	95 (3.74")	115.5 (4.55")	162 (6.38")	170 (6.69")	202 (7.95")	260 (10.24")
FP 3541 / 3542	3"	2.5"	211 (8.31")	115 (4.53")	118 (4.64")	162 (6.38")	170 (6.69")	202 (7.95")	290 (11.42")
FP 3451 / 3452	3"	2"	211 (8.31")	140 (5.51")	114 (4.49")	158 (6.22")	166 (6.54")	198 (7.80")	350 (13.78")

MOTOR HP	MOTOR FRAME	DIMENSIONS IN MILLIMETERS (INCHES)		
		H	J	ØK
0.5 HP	56C	115 (4.53")	236 (9.29")	157 (6.19")
0.75 HP	56C	115 (4.53")	236 (9.29")	157 (6.19")
1 HP	56C	115 (4.53")	236 (9.29")	157 (6.19")
1.5 HP	143TC	115 (4.53")	252 (9.94")	157 (6.19")
1.5 HP	145TC	133 (5.22")	259 (10.19")	183 (7.19")
2 HP	145TC	133 (5.22")	284 (11.19")	183 (7.19")
3 HP	145TC	133 (5.22")	284 (11.19")	183 (7.19")
3 HP	182TC	133 (5.23")	313 (12.31")	216 (8.50")
5 HP	184TC	152 (6.00")	348 (13.68")	216 (8.50")
5 HP	184TC	152 (6.00")	386 (15.18")	216 (8.50")
7.5 HP	213TC	189 (7.46")	388 (15.27")	263 (10.34")
10 HP	215TC	189 (7.46")	388 (15.27")	263 (10.34")
10 HP	215TC	189 (7.46")	416 (16.40")	263 (10.34")

1265000384 REV.

Dimensional Drawing: FP Double Flange [Frame Sizes 182TC-286T(S)C]



PUMP MODEL	INLET	OUTLET	DIMENSIONS IN MILLIMETERS (INCHES)						
			A	B	C	D	E	F	ØE
FP 1051	4"	4"	250 (9.84")	170 (6.69")	167 (6.57")	202.5 (7.97")	254 (10.00")	317.5 (12.50")	406 (15.98")
FP 1151	4"	4"	250 (9.84")	170 (6.69")	110.5 (4.35")	146 (5.75")	197.5 (7.78")	261 (10.28")	406 (15.98")
FP 1161	4"	4"	250 (9.84")	170 (6.69")	110.5 (4.35")	146 (5.75")	197.5 (7.78")	261 (10.28")	406 (15.98")
FP 1161	6"	4"	250 (9.84")	170 (6.69")	111 (4.37")	146 (5.75")	197.5 (7.78")	261 (10.28")	406 (15.98")
FP 742	2.5"	2"	195 (7.68")	96 (3.78")	101 (3.98")	143.5 (5.65")	195 (7.68")	258.5 (10.18")	270 (10.63")
FP 1732 / 1742	2.5"	2"	200 (7.87")	91 (3.58")	104 (4.09")	153 (6.02")	204.5 (8.05")	268 (10.55")	270 (10.63")
FP 3532	2.5"	2"	191 (7.52")	95 (3.74")	115.5 (4.55")	164.5 (6.48")	216 (8.50")	279.5 (11.00")	280 (10.24")
FP 3542	3"	2.5"	211 (8.31")	115 (4.53")	118 (4.64")	164.5 (6.48")	216 (8.50")	279.5 (11.00")	290 (11.42")
FP 3452	3"	2"	211 (8.31")	140 (5.51")	114 (4.49")	160.5 (6.32")	212 (8.35")	275.5 (10.85")	350 (13.78")
FP 3551 / 3552	3"	2.5"	231 (9.09")	140 (5.51")	119 (4.68")	170.5 (6.71")	222 (8.74")	285.5 (11.24")	350 (13.78")

MOTOR HP	MOTOR FRAME	DIMENSIONS IN MILLIMETERS (INCHES)					
		H	J	ØK	L	M	N
*3 HP	182TC	133 (5.23")	313 (12.31")	216 (8.50")	200 (7.87")	117 (4.62")	44.5 (1.75")
*5 HP	213TC	189 (7.46")	388 (15.27")	263 (10.34")	200 (7.87")	117 (4.62")	44.5 (1.75")
**7.5 HP	213TC	189 (7.46")	388 (15.27")	263 (10.34")	200 (7.87")	117 (4.62")	44.5 (1.75")
**10 HP	215TC	189 (7.46")	416 (16.40")	263 (10.34")	200 (7.87")	117 (4.62")	44.5 (1.75")
15 HP	254TC	220 (8.67")	415 (16.33")	263 (10.34")	200 (7.87")	98*** (3.88")	38**** (1.50")
20 HP	256TC	239 (9.42")	499 (19.66")	336 (13.25")	200 (7.87")	98*** (3.88")	38**** (1.50")
20 HP	256TC	225 (8.88")	491 (19.34")	263 (10.34")	200 (7.87")	98 (3.88")	38 (1.50")
25 HP	284TC	333 (13.12")	588 (23.13")	395 (15.56")	200 (7.87")	117 (4.62")	44.5 (1.75")
25 HP	284TSC	333 (13.12")	588 (23.13")	395 (15.56")	200 (7.87")	98 (3.88")	38 (1.50")
30 HP	286TC	333 (13.12")	588 (23.13")	395 (15.56")	200 (7.87")	117 (4.62")	44.5 (1.75")
30 HP	286TSC	333 (13.12")	588 (23.13")	395 (15.56")	200 (7.87")	98 (3.88")	38 (1.50")

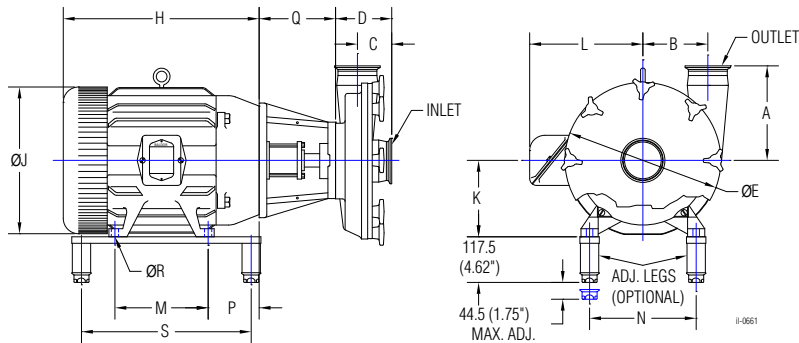
* 3551 ONLY
 ** 3551, 1051 & 1151 ONLY
 *** 117 (4.62") FOR 1051, 1151 & 1161
 **** 44.5 (1.75") FOR 1051, 1151 & 1161

1265000387 REV A

All pump dimensions are in millimeters (inches). Dimensions are based on clamp fittings. Motor dimensions may vary by manufacturer.

Dimensional Drawing: FP Double Flange

[Frame Sizes 324T(S)C-365T(S)C]

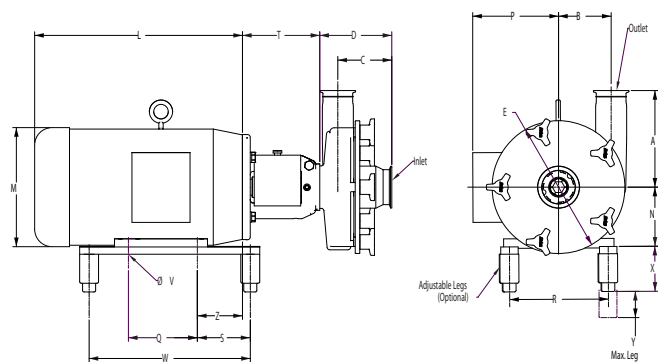


PUMP MODEL	INLET	OUTLET	DIMENSIONS IN MILLIMETERS (INCHES)					
			A	B	C	D	ØE	ØE
FP 1051	4"	4"	250 (9.84")	170 (6.69")	167 (6.57")	202.5 (7.97")	406 (15.98")	406 (15.98")
FP 1151	4"	4"	250 (9.84")	170 (6.69")	146 (4.35")	146 (5.75")	406 (15.98")	406 (15.98")
FP 1161	4"	4"	250 (9.84")	170 (6.69")	110 (4.35")	146 (5.75")	406 (15.98")	406 (15.98")
FP 1161	6"	4"	250 (9.84")	170 (6.69")	111 (4.37")	146 (5.75")	406 (15.98")	406 (15.98")
FP 1742	2.5"	2"	200 (7.87")	91 (3.58")	104 (4.09")	153 (6.02")	270 (10.63")	270 (10.63")
FP 3542	3"	2.5"	211 (8.31")	115 (4.53")	118 (4.64")	164.5 (6.48")	290 (11.42")	290 (11.42")
FP 3452	3"	2"	211 (8.31")	140 (5.51")	114 (4.49")	160.5 (6.32")	350 (13.78")	350 (13.78")
FP 3551 / 3552	3"	2.5"	231 (9.09")	140 (5.51")	119 (4.68")	170.5 (6.71")	350 (13.78")	350 (13.78")

MOTOR HP	MOTOR	MOTOR	DIMENSIONS IN MILLIMETERS (INCHES)										
			FRAME	H	ØJ	K	L	M	N	P	Q	ØR	S
40 HP	1750 RPM	3500 RPM	324TSC	636 (25.00")	413 (16.25")	203 (8.00")	371 (14.62")	267 (10.50")	318 (12.50")	133 (5.25")	216 (8.50")	16.7 (21/32")	470 (18.50")
40 HP	1750 RPM	3500 RPM	324TSC	636 (25.00")	413 (16.25")	203 (8.00")	371 (14.62")	267 (10.50")	318 (12.50")	133 (5.25")	216 (8.50")	16.7 (21/32")	470 (18.50")
50 HP	1750 RPM	3500 RPM	326TSC	636 (25.00")	413 (16.25")	203 (8.00")	371 (14.62")	305 (12.00")	318 (12.50")	133 (5.25")	216 (8.50")	16.7 (21/32")	470 (18.50")
50 HP	1750 RPM	3500 RPM	326TSC	636 (25.00")	413 (16.25")	203 (8.00")	371 (14.62")	305 (12.00")	318 (12.50")	133 (5.25")	216 (8.50")	16.7 (21/32")	470 (18.50")
60 HP	1750 RPM	3500 RPM	364TSC	702 (27.60")	485 (19.11")	229 (9.00")	457 (18.00")	285 (11.25")	355 (14.00")	149 (5.87")	232 (9.13")	17.5 (11/16")	508 (20.00")
60 HP	1750 RPM	3500 RPM	364TSC	702 (27.60")	485 (19.11")	229 (9.00")	457 (18.00")	285 (11.25")	355 (14.00")	149 (5.87")	232 (9.13")	17.5 (11/16")	508 (20.00")
75 HP	1750 RPM	3500 RPM	365TSC	702 (27.60")	485 (19.11")	229 (9.00")	457 (18.00")	311 (12.25")	355 (14.00")	149 (5.87")	232 (9.13")	17.5 (11/16")	508 (20.00")
75 HP	1750 RPM	3500 RPM	365TSC	702 (27.60")	485 (19.11")	229 (9.00")	457 (18.00")	311 (12.25")	355 (14.00")	149 (5.87")	232 (9.13")	17.5 (11/16")	508 (20.00")

1265000715 REV.

Dimensional Drawing: FPR Single Flange



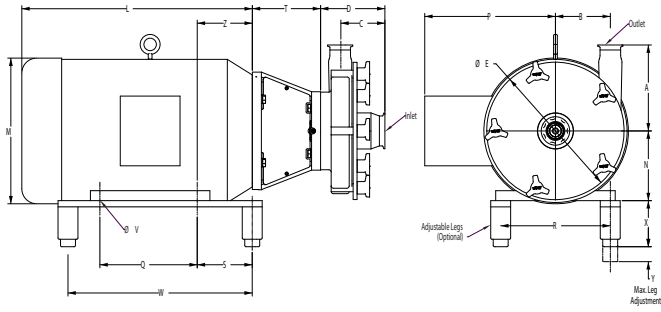
PUMP MODEL	INLET	OUTLET	A	B	C	D	E
FPR 701/702	1.5"	1.5"	108 (4.25")	44.5 (1.75")	106.5 (4.19")	139.5 (5.49")	150 (5.91")
FPR 711/712	2"	1.5"	144 (5.67")	58 (2.28")	113 (4.45")	145 (5.71")	185 (7.28")
FPR 721/731/722	2"	1.5"	170 (6.69")	79 (3.11")	113 (4.45")	145 (5.71")	230 (9.06")
FPR 741/742	2.5"	2"	195 (7.68")	96 (3.78")	101 (3.98")	136 (5.35")	270 (10.63")
FPR 1741/1742	2.5"	2"	200 (7.87")	91 (3.58")	104 (4.09")	145.5 (5.73")	270 (10.63")
FPR 3521/3522	2.5"	2"	190 (7.48")	80 (3.15")	118 (4.65")	157.5 (6.2")	230 (9.06")
FPR 3531/3532	2.5"	2"	191 (7.52")	95 (3.74")	115.5 (4.55")	157.5 (6.2")	260 (10.24")
FPR 3541/3542	3"	2.5"	211 (8.31")	115 (4.53")	118 (4.65")	157.5 (6.2")	290 (11.42")

MOTOR HP	MOTOR	MOTOR	DIMENSIONS IN MILLIMETERS (INCHES)														
			FRAME	L	M	N	P	Q	R	S	T	V	W	X	Y	Z	
1 HP	1.5 HP	143TC	284 (11.18")	175 (6.89")	89 (3.5")	133 (5.25")	101.6 (4")	140 (5.5")	127 (5")	120 (4.72")	8.7 (0.34")	14" (3.86")	98 (3.86")	38 (1.5")	57.2 (2.25")		
1.5 HP	1.5 HP	145TC	284 (11.18")	175 (6.89")	89 (3.5")	133 (5.25")	127 (5")	140 (5.5")	127 (5")	120 (4.72")	8.7 (0.34")	14" (3.86")	98 (3.86")	38 (1.5")	57.2 (2.25")		
2 HP	2 HP	145TC	284 (11.18")	175 (6.89")	89 (3.5")	133 (5.25")	127 (5")	140 (5.5")	127 (5")	120 (4.72")	8.7 (0.34")	14" (3.86")	98 (3.86")	38 (1.5")	57.2 (2.25")		
3 HP	3 HP	182TC	340 (13.39")	221 (8.7")	114 (4.5")	149 (5.87")	114 (4.5")	191 (7.5")	108 (4.25")	169 (6.65")	10.3 (0.41")	14" (3.86")	98 (3.86")	38 (1.5")	69.9 (2.75")		
3 HP	3 HP	182TC	340 (13.39")	221 (8.7")	114 (4.5")	149 (5.87")	114 (4.5")	191 (7.5")	108 (4.25")	169 (6.65")	10.3 (0.41")	14" (3.86")	98 (3.86")	38 (1.5")	69.9 (2.75")		
5 HP	5 HP	184TC	354 (13.94")	221 (8.7")	114 (4.5")	149 (5.87")	140 (5.5")	191 (7.5")	108 (4.25")	169 (6.65")	10.3 (0.41")	14" (3.86")	98 (3.86")	38 (1.5")	69.9 (2.75")		
5 HP	5 HP	184TC	354 (13.94")	221 (8.7")	114 (4.5")	149 (5.87")	140 (5.5")	191 (7.5")	108 (4.25")	169 (6.65")	10.3 (0.41")	14" (3.86")	98 (3.86")	38 (1.5")	69.9 (2.75")		
7.5 HP	7.5 HP	184TC	423 (16.65")	221 (8.7")	114 (4.5")	149 (5.87")	140 (5.5")	191 (7.5")	108 (4.25")	169 (6.65")	10.3 (0.41")	14" (3.86")	98 (3.86")	38 (1.5")	69.9 (2.75")		
7.5 HP	7.5 HP	213TC	403 (15.87")	260 (10.25")	133 (5.25")	187 (7.38")	140 (5.5")	216 (8.5")	108 (4.25")	169 (6.65")	10.3 (0.41")	14" (3.86")	98 (3.86")	38 (1.5")	88.9 (3.5")		
10 HP	10 HP	215TC	416 (16.38")	260 (10.25")	133 (5.25")	187 (7.38")	178 (7")	216 (8.5")	108 (4.25")	169 (6.65")	10.3 (0.41")	14" (3.86")	98 (3.86")	38 (1.5")	88.9 (3.5")		
10 HP	10 HP	215TC	416 (16.38")	260 (10.25")	133 (5.25")	187 (7.38")	178 (7")	216 (8.5")	108 (4.25")	169 (6.65")	10.3 (0.41")	14" (3.86")	98 (3.86")	38 (1.5")	88.9 (3.5")		
15 HP	15 HP	254TC	499 (19.65")	327 (12.87")	159 (6.25")	244 (9.63")	254 (10")	254 (10")	102 (4")	169 (6.65")	13.5 (0.53")	16" (4.06")	98 (3.86")	38 (1.5")	108.0 (4.25")		
20 HP	20 HP	256TC	499 (19.65")	327 (12.87")	159 (6.25")	244 (9.63")	254 (10")	254 (10")	102 (4")	169 (6.65")	13.5 (0.53")	16" (4.06")	98 (3.86")	38 (1.5")	108.0 (4.25")		
20 HP	20 HP	256TC	499 (19.65")	327 (12.87")	159 (6.25")	244 (9.63")	254 (10")	254 (10")	102 (4")	169 (6.65")	13.5 (0.53")	16" (4.06")	98 (3.86")	38 (1.5")	108.0 (4.25")		
25 HP	25 HP	284TSC	588 (23.15")	371 (14.63")	178 (7")	333 (13.13")	241 (9.5")	279 (11")	121 (4.75")	179 (7.05")	13.5 (0.53")	17.5 (4.63")	118 (4.63")	45 (1.75")	120.7 (4.75")		
25 HP	25 HP	284TC	588 (23.15")	371 (14.63")	178 (7")	333 (13.13")	241 (9.5")	279 (11")	121 (4.75")	179 (7.05")	13.5 (0.53")	17.5 (4.63")	118 (4.63")	45 (1.75")	120.7 (4.75")		
30 HP	30 HP	286TSC	588 (23.15")	371 (14.63")	178 (7")	333 (13.13")	279 (11")	279 (11")	121 (4.75")	179 (7.05")	13.5 (0.53")	17.5 (4.63")	118 (4.63")	45 (1.75")	120.7 (4.75")		
30 HP	30 HP	286TC	588 (23.15")	371 (14.63")	178 (7")	333 (13.13")	279 (11")	279 (11")	121 (4.75")	179 (7.05")	13.5 (0.53")	17.5 (4.63")	118 (4.63")	45 (1.75")	120.7 (4.75")		
40 HP	40 HP	324TSC	636 (25.04")	419 (16.5")	203 (8")	359 (14.13")	267 (10.5")	318 (12.5")	121 (4.75")	179 (7.05")	13.5 (0.53")	18.5 (4.63")	118 (4.63")	45 (1.75")	133.4 (5.25")		
40 HP	40 HP	324TC	636 (25.04")	419 (16.5")	203 (8")	359 (14.13")	267 (10.5")	318 (12.5")	121 (4.75")	179 (7.05")	13.5 (0.53")	18.5 (4.63")	118 (4.63")	45 (1.75")	133.4 (5.25")		
50 HP	50 HP	326TSC	636 (25.04")	419 (16.5")	203 (8")	359 (14.13")	305 (12")	318 (12.5")	121 (4.75")	179 (7.05")	13.5 (0.53")	18.5 (4.63")	118 (4.63")	45 (1.75")	133.4 (5.25")		
50 HP	50 HP	326TC	636 (25.04")	419 (16.5")	203 (8")	359 (14.13")	305 (12")	318 (12.5")	121 (4.75")	179 (7.05")	13.5 (0.53")	18.5 (4.63")	118 (4.63")	45 (1.75")	133.4 (5.25")		

1265000643

All pump dimensions are in millimeters (inches). Dimensions are based on clamp fittings. Motor dimensions may vary by manufacturer.

Dimensional Drawing: FPR Double Flange

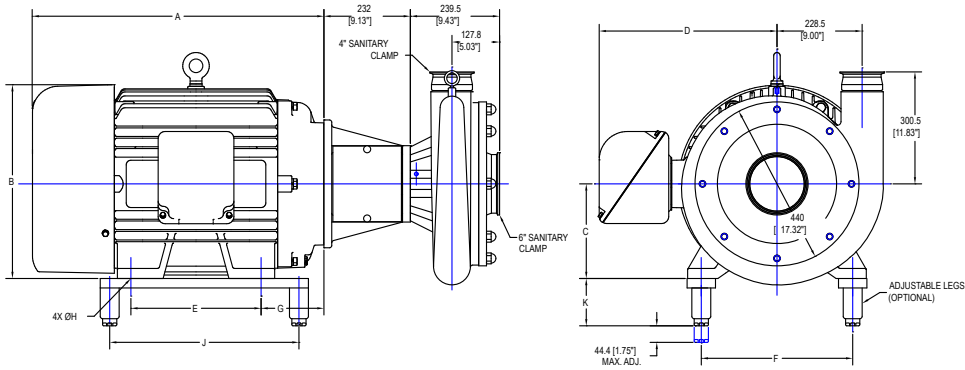


PUMP MODEL	INLET	OUTLET	A	B	C	D	E
FPR 751/752	3"	2"	205 8.07"	145 5.71"	99 3.9"	142 5.59"	379 14.92"
FPR 3451/3452	3"	2"	211 8.31"	140 5.51"	114 4.49"	160.5 6.32"	350 13.78"
FPR 3551/3552	3"	2.5"	230 9.06"	140 5.51"	119 4.69"	170 6.69"	350 13.78"
FPR 3642	4"	4"	226 8.9"	154 6.06"	142 5.59"	197 7.76"	276 10.87"
FPR 1051	4"	4"	250 9.84"	170 6.69"	167 6.57"	202.5 7.97"	406 15.98"
FPR 1161	4"	4"	250 9.84"	170 6.69"	110.5 4.35"	146 5.75"	406 15.98"
FPR 3001	4"	4"	232 9.13"	191 7.52"	97 3.82"	138 5.43"	350 13.78"

MOTOR HP	MOTOR FRAME	MOTOR FRAME													
		L	M	N	P	Q	R	S	T	V	W	X	Y	Z	
3 HP	182TC	313 12.32"	221 8.7"	114 4.5"	149 5.87"	114 4.5"	191 7.5"	108 4.25"	160 6.3"	10.3 0.41"	356 14"	98 3.86"	38 1.5"	69.9 2.75"	
	182TC	348 13.7"	221 8.7"	114 4.5"	149 5.87"	114 4.5"	191 7.5"	108 4.25"	160 6.3"	10.3 0.41"	356 14"	98 3.86"	38 1.5"	69.9 2.75"	
5 HP	184TC	347 13.66"	221 8.7"	114 4.5"	149 5.87"	140 5.5"	191 7.5"	108 4.25"	160 6.3"	10.3 0.41"	356 14"	98 3.86"	38 1.5"	69.9 2.75"	
	184TC	386 15.2"	221 8.7"	114 4.5"	149 5.87"	140 5.5"	191 7.5"	108 4.25"	160 6.3"	10.3 0.41"	356 14"	98 3.86"	38 1.5"	69.9 2.75"	
7.5 HP	184TC	386 15.2"	221 8.7"	114 4.5"	149 5.87"	140 5.5"	191 7.5"	108 4.25"	160 6.3"	10.3 0.41"	356 14"	98 3.86"	38 1.5"	69.9 2.75"	
	213TC	388 15.28"	260 10.25"	133 5.25"	187 7.38"	140 5.5"	216 8.5"	108 4.25"	160 6.3"	10.3 0.41"	356 14"	98 3.86"	38 1.5"	69.9 2.75"	
10 HP	215TC	388 15.28"	260 10.25"	133 5.25"	187 7.38"	178 7"	216 8.5"	108 4.25"	160 6.3"	10.3 0.41"	356 14"	98 3.86"	38 1.5"	69.9 2.75"	
	215TC	436 17.17"	260 10.25"	133 5.25"	187 7.38"	178 7"	216 8.5"	108 4.25"	160 6.3"	10.3 0.41"	356 14"	98 3.86"	38 1.5"	69.9 2.75"	
15 HP	254TC	447 17.6"	327 12.87"	169 6.25"	244 9.63"	210 8.25"	254 10"	102 4"	160 6.3"	13.5 0.53"	406 16"	98 3.86"	38 1.5"	108 4.25"	
	254TC	491 19.33"	327 12.87"	169 6.25"	244 9.63"	210 8.25"	254 10"	102 4"	160 6.3"	13.5 0.53"	406 16"	98 3.86"	38 1.5"	108 4.25"	
20 HP	256TC	499 19.65"	327 12.87"	169 6.25"	244 9.63"	210 8.25"	254 10"	102 4"	160 6.3"	13.5 0.53"	406 16"	98 3.86"	38 1.5"	108 4.25"	
	256TC	588 23.15"	371 14.63"	178 7"	333 13.13"	241 9.5"	279 11"	121 4.75"	174 6.85"	13.5 0.53"	445 17.5"	118 4.63"	45 1.75"	121 4.75"	
25 HP	284TC	588 23.15"	371 14.63"	178 7"	333 13.13"	241 9.5"	279 11"	121 4.75"	174 6.85"	13.5 0.53"	445 17.5"	118 4.63"	45 1.75"	121 4.75"	
	284TSC	588 23.15"	371 14.63"	178 7"	333 13.13"	241 9.5"	279 11"	121 4.75"	174 6.85"	13.5 0.53"	445 17.5"	118 4.63"	45 1.75"	121 4.75"	
30 HP	286TC	588 23.15"	371 14.63"	178 7"	333 13.13"	279 11"	279 11"	121 4.75"	174 6.85"	13.5 0.53"	445 17.5"	118 4.63"	45 1.75"	121 4.75"	
	286TSC	588 23.15"	371 14.63"	178 7"	333 13.13"	279 11"	279 11"	121 4.75"	174 6.85"	13.5 0.53"	445 17.5"	118 4.63"	45 1.75"	121 4.75"	
40 HP	324TC	636 25.04"	419 16.5"	203 8"	359 14.13"	267 10.5"	318 12.5"	121 4.75"	209 8.23"	16.7 0.66"	470 18.5"	118 4.63"	45 1.75"	133 5.25"	
	324TSC	636 25.04"	419 16.5"	203 8"	359 14.13"	267 10.5"	318 12.5"	121 4.75"	209 8.23"	16.7 0.66"	470 18.5"	118 4.63"	45 1.75"	133 5.25"	
50 HP	326TC	636 25.04"	419 16.5"	203 8"	359 14.13"	305 12"	318 12.5"	121 4.75"	209 8.23"	16.7 0.66"	470 18.5"	118 4.63"	45 1.75"	133 5.25"	
	326TSC	636 25.04"	419 16.5"	203 8"	359 14.13"	305 12"	318 12.5"	121 4.75"	209 8.23"	16.7 0.66"	470 18.5"	118 4.63"	45 1.75"	133 5.25"	
60 HP	364TC	685 26.97"	470 18.5"	229 9"	383 15.06"	286 11.25"	356 14"	89 3.5"	209 8.23"	16.7 0.66"	508 20"	127 5"	149 5.87"		
	364TSC	685 26.97"	470 18.5"	229 9"	383 15.06"	286 11.25"	356 14"	89 3.5"	209 8.23"	16.7 0.66"	508 20"	127 5"	149 5.87"		
75 HP	365TC	685 26.97"	470 18.5"	229 9"	383 15.06"	311 12.25"	356 14"	89 3.5"	209 8.23"	16.7 0.66"	508 20"	127 5"	149 5.87"		
	365TSC	685 26.97"	470 18.5"	229 9"	383 15.06"	311 12.25"	356 14"	89 3.5"	209 8.23"	16.7 0.66"	508 20"	127 5"	149 5.87"		

Dimensional Drawing: FPR Double Flange

[Model 4001]



MOTOR HP	MOTOR FRAME	A	B	C	D	E	F	G	ØH	J	K
40 HP	324TC	636	418	203	371	267	317	133	16.7	470	117
	324TC	25"	16.5"	8"	14.6"	10.5"	12.5"	5.2"	0.7"	18.5"	4.6"
50 HP	326TC	636	418	203	371	305	317	133	16.7	470	117
	326TC	25"	16.5"	8"	14.6"	12"	12.5"	5.2"	0.7"	18.5"	4.6"
60 HP	364TC	684	470	229	380	286	355	149	16.7	508	127
	364TC	26.9"	18.5"	9"	15"	11.3"	14"	5.9"	0.7"	20"	5"
75 HP	365TC	684	470	229	380	311	355	149	16.7	508	127
	365TC	26.9"	18.5"	9"	15"	12.2"	14"	5.9"	0.7"	20"	5"
100 HP	405TC	782	520	254	477	349	406	168	20.6	508	127
	405TC	30.8"	20.5"	10"	18.8"	13.7"	16"	6.6"	0.8"	20"	5"

1265000054
1/28/2008

All pump dimensions are in millimeters (inches). Dimensions are based on clamp fittings. Motor dimensions may vary by manufacturer.