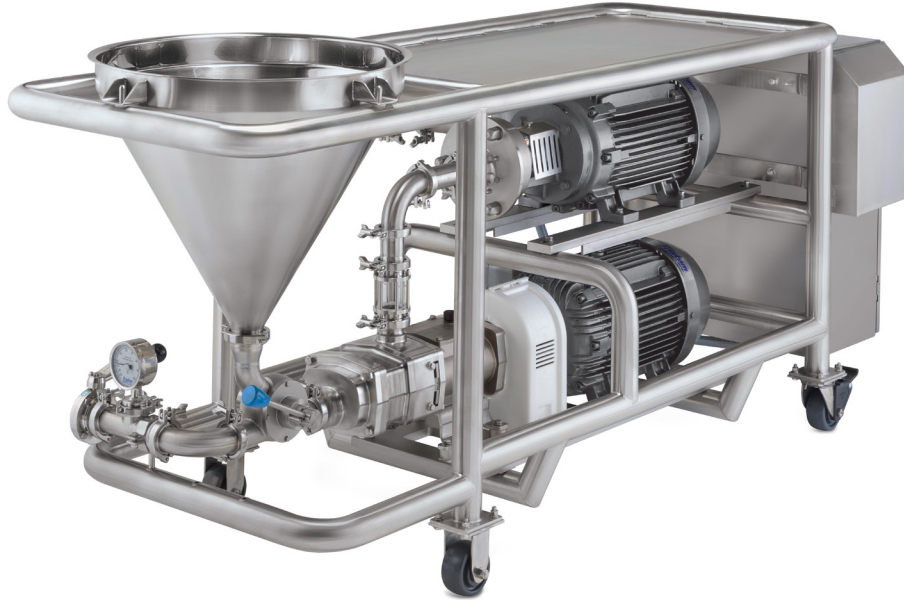


# PM-FDS

## High Viscosity Powder Mixer



### The Mixer You Trust, Taken to New Viscosities

Stop wasting your valuable time and money on outdated, oversized, or underperforming mixing systems. The Fristam Powder Mixer provides quick, thorough blending of wet and dry ingredients into a fluid stream.

The Fristam PM-FDS allows you to go where a Powder Mixer could never go before. The use of our FDS Double Screw pump allows the Fristam Powder Mixer to mix products at viscosities previously difficult to handle, with all the same advantages our Powder Mixer has always had.

The Fristam FDS allows the powder mixer to handle a wide range of viscosities, up to 1,000,000 cps. Products can begin at lower viscosities and the FDS will maintain consistent suction as the product concentrations and viscosities climb past the point where traditional pumps would fail.

Incorporate Carbopol®, xanthan, and pectin with confidence and ease, even at higher concentrations.

See how the Fristam PM-FDS can help you.

### Package Base Features

- FDS double screw pump
- FS shear blender
- Arc valve
- Control panel with Variable Frequency Drives (VFDs) for both pumps

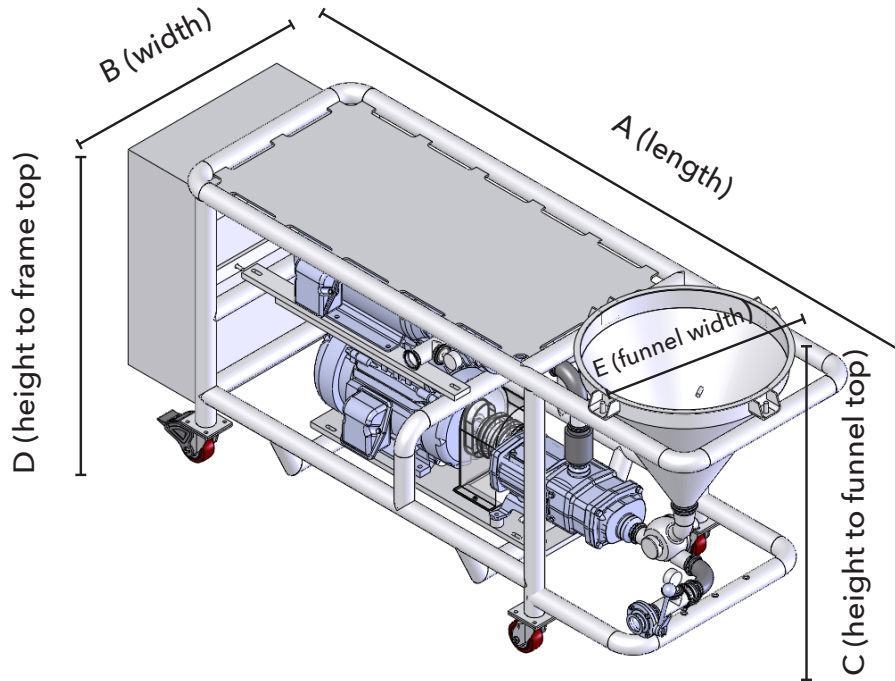
### Optional PM-FDS Features

- Funnel vibrator: promotes powder flow
- Funnel screen: prevents foreign materials from entering the funnel
- Funnel lid: covers funnel to keep foreign materials out when not in use
- Double seals: for sticky or abrasive products

**Fristam**  
**PUMPS®**  
*Engineered For Lasting Performance®*

1-800-841-5001 • [fristam.com/PM](http://fristam.com/PM)

# PM-FDS Dimensional Drawing



Model	FDS Model	FS Model	Inlet	Outlet	A	B	C	D	E
2-52	2	3522	2 (5.1)	2 (5.1)	83 (211)	30.5 (77.5)	41.5 (105.5)	39 (99)	24 (61)
3-53	3	3532	3 (7.6)	3 (7.6)	104 (264)	35 (89)	45.8 (116)	43.2 (110)	24 (61)

*All dimensions are in inches (centimeters).*

# PM-FDS Induction/Flow Capacity

Powder Mixer	Max Liquid Flow Rate	Max Induction Rate lbs/min (kg/min)			
		Sugar/Salt	Starch/WPC/ Cocoa	Pectin	Carbopol/ Xanthan
Model	GPM (m <sup>3</sup> /hr)				
2-52	75 (15)	150 (70)	100 (45)	30 (15)	15 (5)
3-53	125 (30)	225 (100)	150 (70)	45 (20)	25 (10)

